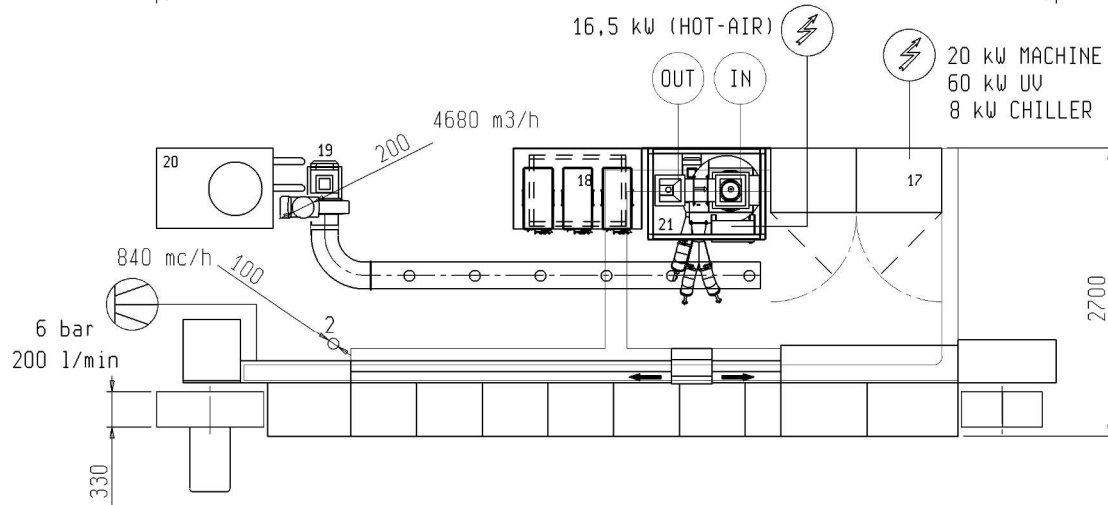
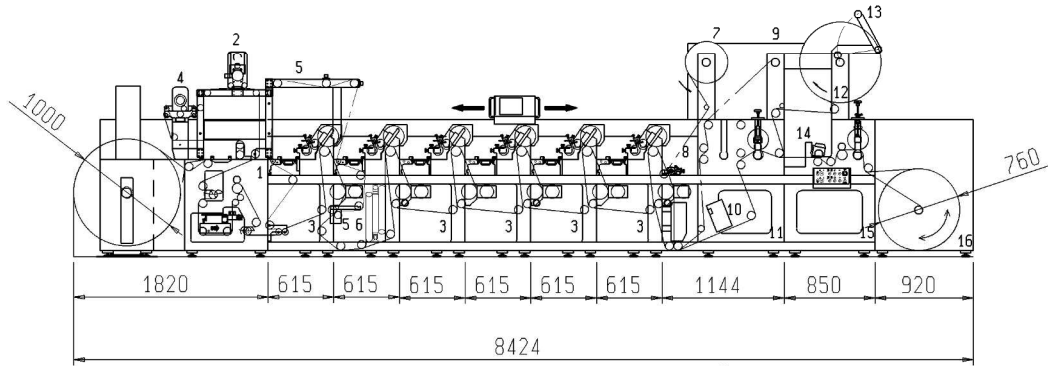


FX 330

FLEXY



1 UNWINDER	11 ROTARY DIE
2 CORONA TREATMENT	12 STRIPPING UNIT
3 FLEXY PRINTING UNIT	13 MATRIX PRESSURE ROLL
4 WEB CLEANER	14 SLITTING WITH PRESSURE CUT
5 DELAM RELAM	15 PULL ROLLS
6 TURN BAR	16 REWINDER
7 COLD FOIL UNWINDER	17 ELECTRICAL EQUIPMENT
8 COLD FOIL NIP ROLL	18 UV ELECTRICAL EQUIPMENT
9 COLD FOIL REWINDER	19 UV AIR EXHAUSTING SYSTEM
10 VIDEOCAMERA	20 CHILLER
	21 HOT AIR DRYER

OUT DWG 114095 800 mc/h
 IN DWG 114095 600 mc/h

1	12/11/21		Scerelli	Melesi Alfonso
0	13/05/09		Melesi	Melesi Alfonso
Rev	Data/Date	N°	Eseguito/Made by	Controllato/Checked by



RIGID TYPE CABLE TRAYS DO NOT ALLOW REPOSITIONING OF ELECTRIC EQUIPMENT AFTER LAY-OUT DEFINITION.

 via Caduti a Fossoli 22 22053 LECCO TEL. 0341 282661	Firma/Signature	Data/Date	Desc.
	Eseguito / Made by Melesi	13/05/09	
IL PRESENTE DISEGNO E' DI PROPRIETA' DELLA SOMET S.R.L. NON PUO' ESSERE COPIATO, TRASMESSO O DIVULGATO A TERZI SENZA AUTORIZZAZIONE SCRITTA	Controllato/ Checked by Melesi Alfonso	13/05/2009	FX 330 FLEXY
	Comma N.		
THIS DRAWING IS SOMET'S PROPERTY IT CANNOT BE COPIED, TRANSMITTED OR DISCLOSED TO THIRD PARTIES WITHOUT WRITTEN AUTHORIZATION BY SOMET	Scala/Scale	1:50	Formato
	Comma N.	V09024TL+VP21101TP	
	N° Disegno Dwg N°	310356	
	Rev.	1	
	Comma N.	Foglio 1 di 1	