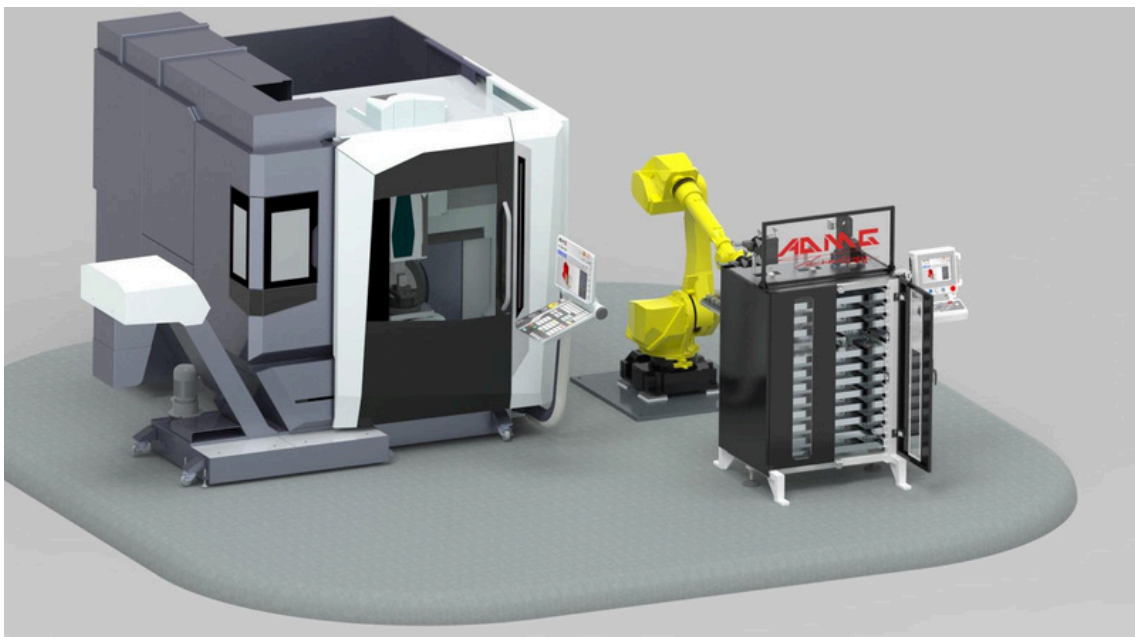
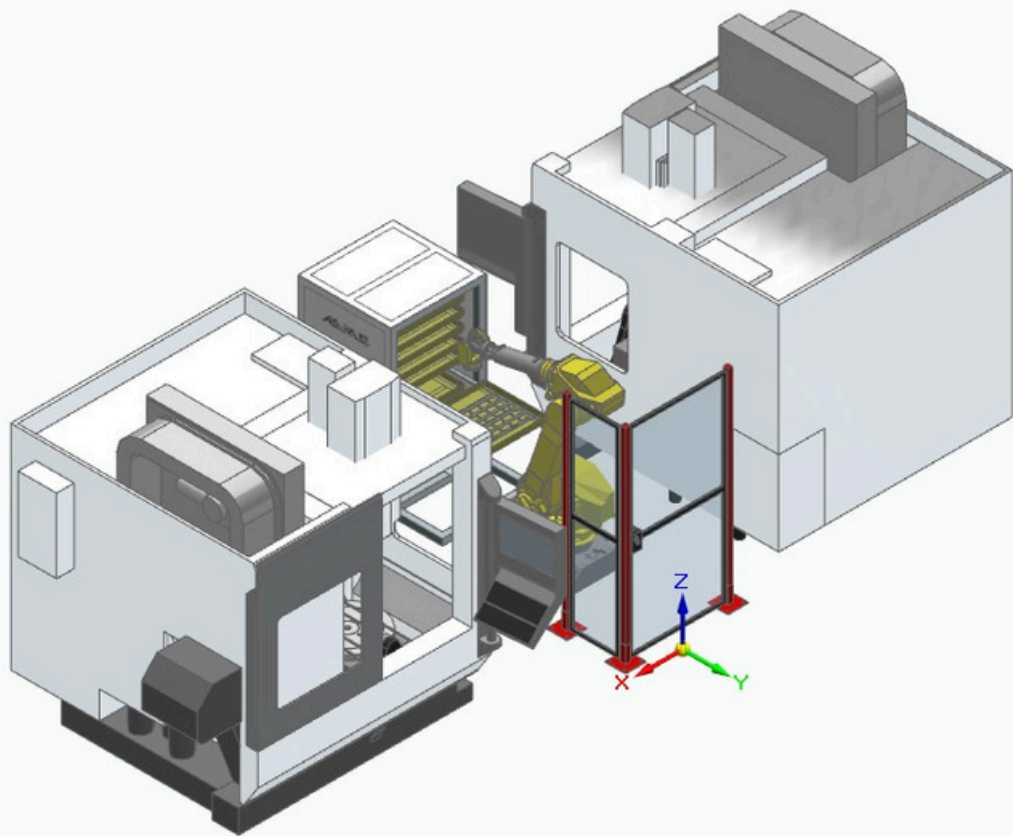


SMALLBOX

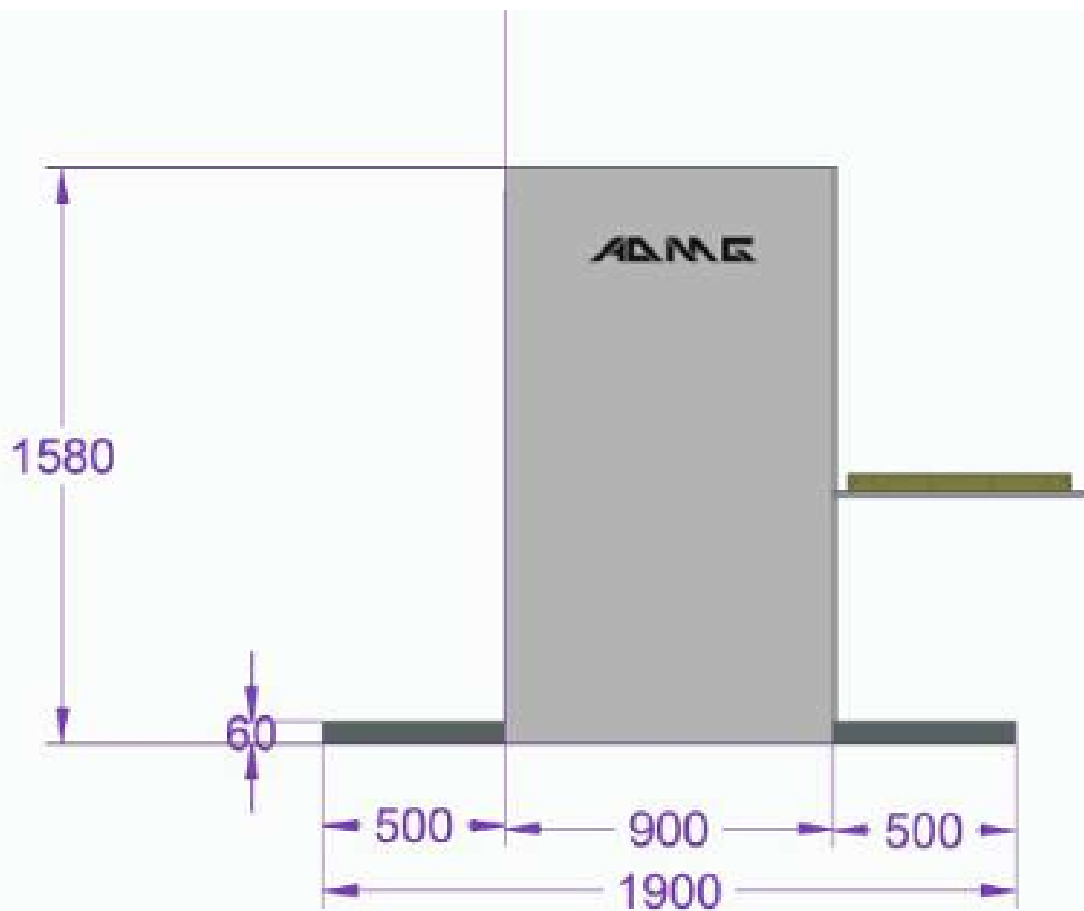


SMALLBOX SYSTEM

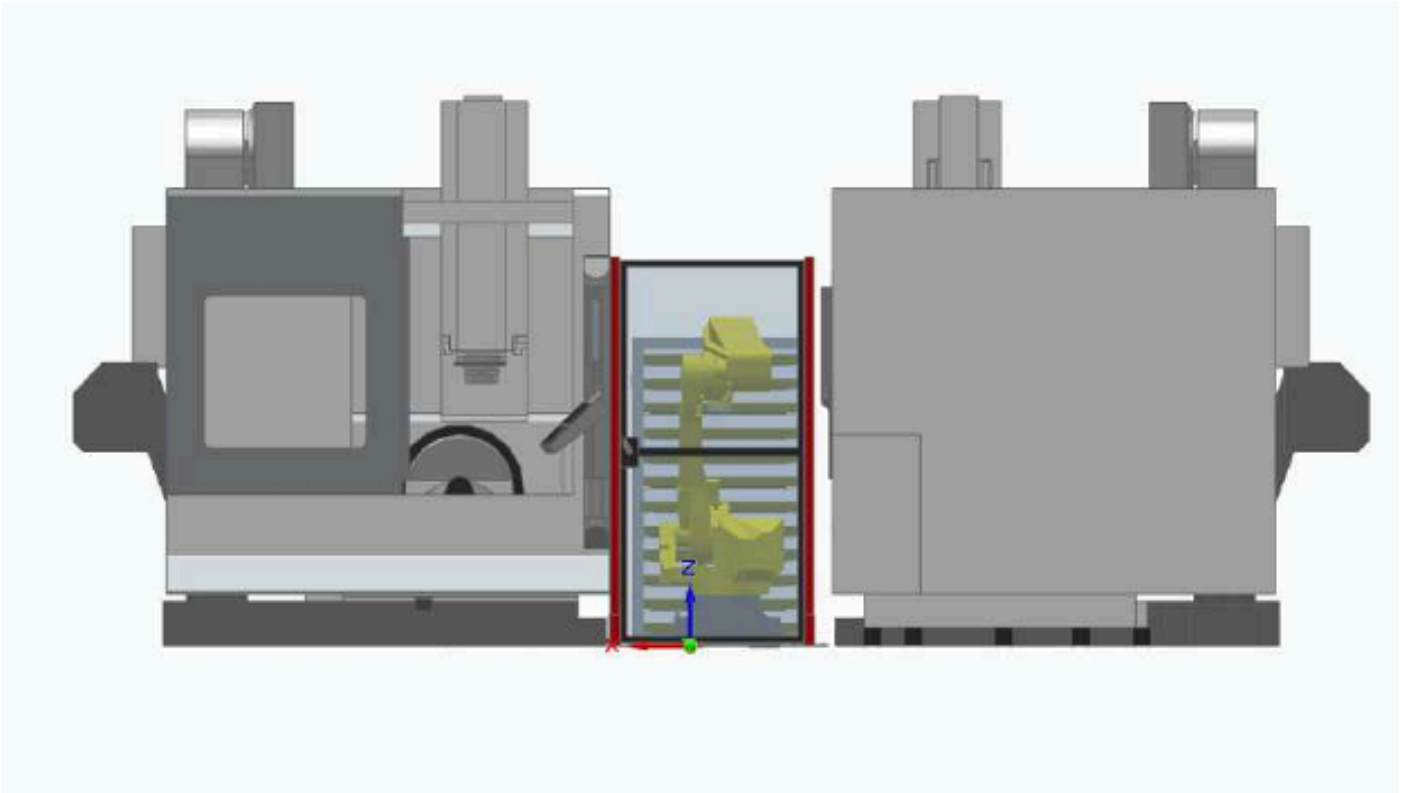
The Small Box system allows you to create a cell as below:



**SMALLBOX
DIMENSIONS**



SMALLBOX



SmallBox is an vertical warehouse with
maximum capacity of 12 trays.
Safe working load of 250 kg each.
The tray's dimension is 600x800 mm

ROBOT FANUC



M-710iC/70

Max. load capacity at wrist: **70 kg**

Max. reach: **2050 mm**

Controlled axes	Repeatability (mm)	Mechanical weight (kg)	Motion range [°]						Maximum speed [°/s]						J4 Moment/ Inertia [Nm/kgm ²]	J5 Moment/ Inertia [Nm/kgm ²]	J6 Moment/ Inertia [Nm/kgm ²]
			J1	J2	J3	J4	J5	J6	J1	J2	J3	J4	J5	J6			
6	± 0.04*	560	360	225	440	720	250	720	160	120	120	225	225	225	294/28	294/28	147/11

Working range

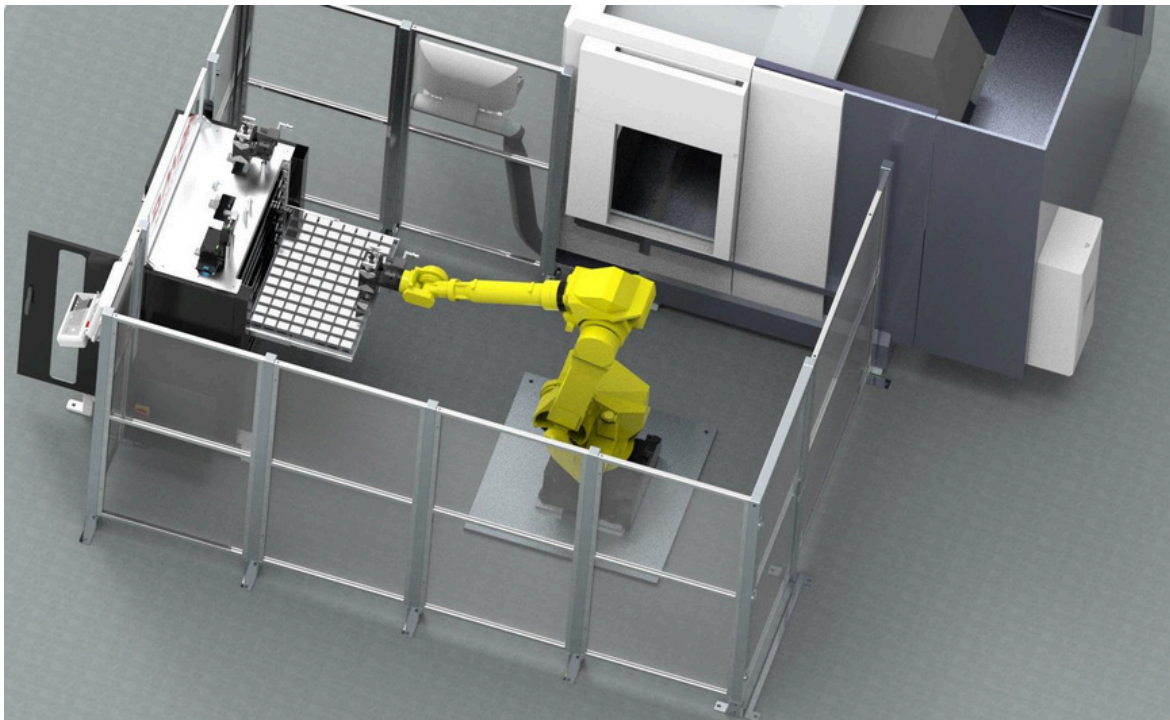
Motion range may be restricted according to the mounting angle!

Robot	M-710iC/70
Robot footprint (mm)	533 x 550
Mounting position	Floor
Mounting position	Upside down
Mounting position	Angle
PC Controller	R-30iB Plus
Open air cabinet	-
Mate cabinet	o
A-cabinet	-
B-cabinet	o
Pendant Touch	-
Electrical connections	
Voltage 50/60Hz 3phase [V]	380-575
Voltage 50/60Hz 1phase [V]	-
Average power consumption (kW)	2.5
Integrated services	
Integrated signals on upper arm In/Out	8/8
Integrated air supply	1
Environment	
Acoustic noise level [dB]	71.3
Ambient temperature [°C]	0-45
Protection	
Body standard/optional	IP54/IP67
Wrist & J3 arm standard/optional	IP67

● standard
○ on request
- not available
| with hardware and/or software option
*Based on ISO9283

Smallbox is equipped with a fanuc robot model M-710iC/70 with 70 Kg of maximum load.

PROTECTION SYSTEMS OF MODULAR SAFETY



The protection safety system of Smallbox is modular. Depending on the need it is possible to remove and reposition walls and/or doors.

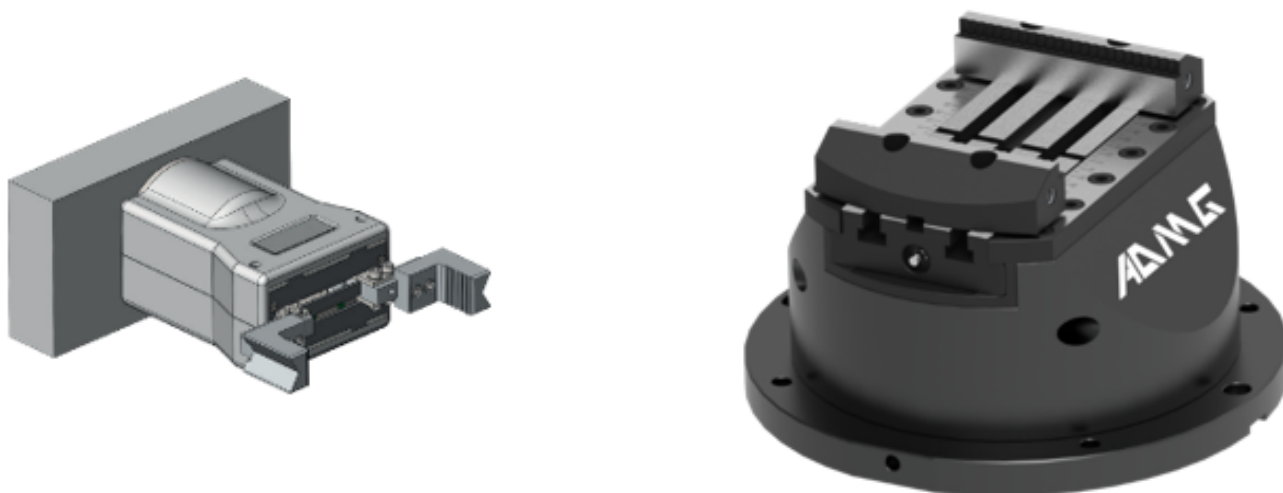
The basic version comes with metal mesh, optional crystals

CONTROL PANEL



The control panel located in the back is mounted on a telescopic arm in, so you can be easily moved by the operator in the more optimal location.

GRIPPER AND VICE



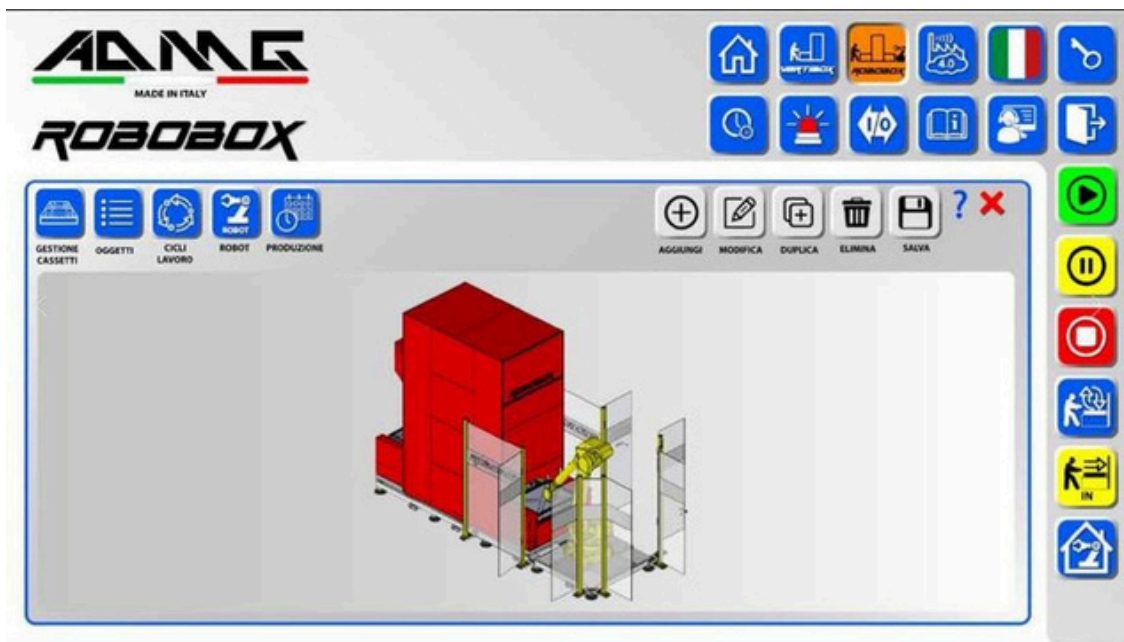
Version of Standard SmallBox supply with a gripper for handle raw material and a vices for clamp the pieces.

OPTIONAL:

- **GRIPPER FOR MOVEMENT THE PALLET**
- **DOUBLE GRIPPER FOR RAW AND FINISHED PIECE**

SOFTWARE

SmallBox is a tool of interconnection between machines, warehouse, robot and office management. The ADMG Software designed for calculation of production, is managed by software management. Such interconnection is today, to all intents and purposes, an industry 4.0 system.



The screenshot displays the 'ELENCO PRODUZIONE' (Production List) table in the ADMG ROBOBOX software. The table has columns for 'SELEZIONE', 'MAG', 'DESCRIZIONE ARTICOLO', 'DESCRIZIONE', 'QUANTO', 'TEMPO CESSO', 'MATERIA', 'FINE', and 'NOTA'. The rows represent production orders with various statuses like 'COMPLETO', 'INCOMPLETO', and 'PENDING'.

SELEZIONE	MAG	DESCRIZIONE ARTICOLO	DESCRIZIONE	QUANTO	TEMPO CESSO	MATERIA	FINE	NOTA
1	C	ADM4024	ADM4024	10	10.00	10.00	10.00	10.00
2	C	ADM4024	ADM4024	10	10.00	10.00	10.00	10.00
3	C	ADM4024	ADM4024	10	10.00	10.00	10.00	10.00
4	C	ADM4024	ADM4024	10	10.00	10.00	10.00	10.00
5	C	ADM4024	ADM4024	10	10.00	10.00	10.00	10.00
6	C	ADM4024	ADM4024	10	10.00	10.00	10.00	10.00
7	C	ADM4024	ADM4024	10	10.00	10.00	10.00	10.00
8	C	ADM4024	ADM4024	10	10.00	10.00	10.00	10.00
9	C	ADM4024	ADM4024	10	10.00	10.00	10.00	10.00
10	C	ADM4024	ADM4024	10	10.00	10.00	10.00	10.00
11	C	ADM4024	ADM4024	10	10.00	10.00	10.00	10.00
12	C	ADM4024	ADM4024	10	10.00	10.00	10.00	10.00
13	C	ADM4024	ADM4024	10	10.00	10.00	10.00	10.00
14	C	ADM4024	ADM4024	10	10.00	10.00	10.00	10.00
15	C	ADM4024	ADM4024	10	10.00	10.00	10.00	10.00
16	C	ADM4024	ADM4024	10	10.00	10.00	10.00	10.00
17	C	ADM4024	ADM4024	10	10.00	10.00	10.00	10.00
18	C	ADM4024	ADM4024	10	10.00	10.00	10.00	10.00
19	C	ADM4024	ADM4024	10	10.00	10.00	10.00	10.00
20	C	ADM4024	ADM4024	10	10.00	10.00	10.00	10.00
21	C	ADM4024	ADM4024	10	10.00	10.00	10.00	10.00
22	C	ADM4024	ADM4024	10	10.00	10.00	10.00	10.00
23	C	ADM4024	ADM4024	10	10.00	10.00	10.00	10.00
24	C	ADM4024	ADM4024	10	10.00	10.00	10.00	10.00
25	C	ADM4024	ADM4024	10	10.00	10.00	10.00	10.00
26	C	ADM4024	ADM4024	10	10.00	10.00	10.00	10.00
27	C	ADM4024	ADM4024	10	10.00	10.00	10.00	10.00
28	C	ADM4024	ADM4024	10	10.00	10.00	10.00	10.00
29	C	ADM4024	ADM4024	10	10.00	10.00	10.00	10.00
30	C	ADM4024	ADM4024	10	10.00	10.00	10.00	10.00
31	C	ADM4024	ADM4024	10	10.00	10.00	10.00	10.00
32	C	ADM4024	ADM4024	10	10.00	10.00	10.00	10.00
33	C	ADM4024	ADM4024	10	10.00	10.00	10.00	10.00
34	C	ADM4024	ADM4024	10	10.00	10.00	10.00	10.00
35	C	ADM4024	ADM4024	10	10.00	10.00	10.00	10.00
36	C	ADM4024	ADM4024	10	10.00	10.00	10.00	10.00
37	C	ADM4024	ADM4024	10	10.00	10.00	10.00	10.00
38	C	ADM4024	ADM4024	10	10.00	10.00	10.00	10.00
39	C	ADM4024	ADM4024	10	10.00	10.00	10.00	10.00
40	C	ADM4024	ADM4024	10	10.00	10.00	10.00	10.00

The screenshot displays the 'CALENDARIO SETTIMANALE' (Weekly Calendar) and 'CALENDARIO FESTIVI' (Holidays Calendar) in the ADMG ROBOBOX software. The weekly calendar shows a grid for the week of August 1st to 7th, 2023, with columns for 'MAG', 'MATERIA', 'FINE', and 'NOTA'. The holidays calendar shows a grid for the month of August, 2023, with columns for 'MATERIA', 'FINE', and 'NOTA'.

GIORNO	MAG	MATERIA	FINE	NOTA
Lunedì	08:00	12:00	17:00	
Martedì	08:00	12:00	17:00	
Mercoledì	08:00	12:00	17:00	
Giovedì	08:00	12:00	17:00	
Venerdì	08:00	12:00	17:00	
Sabato	08:00	12:00	17:00	
Domenica	08:00	12:00	17:00	