

Verso R 1500 U/H/V

Nominal air flow, m ³ /h	1800
Panel thickness, mm	50
Unit weight, kg	206
Supply voltage HE, V	3~400
Supply voltage HW, V	1~230
Maximal operating current HE, A	12,9
Maximal operating current HW, A	6,7
Filters dimensions BxHxL, mm	800x400x46-M5
Electric power input of the fan drive at maximum flow rate, W	444
Electric air heater capacity, kW / Δt, °C	4,5 / 6,9
Control panel	C5.1
Maintenance space, mm	800



The photo is intended for informational purposes only, exact details may vary.

Acoustic data

A-weighted sound power level L_{WA} , dB(A)
at nominal flow rate

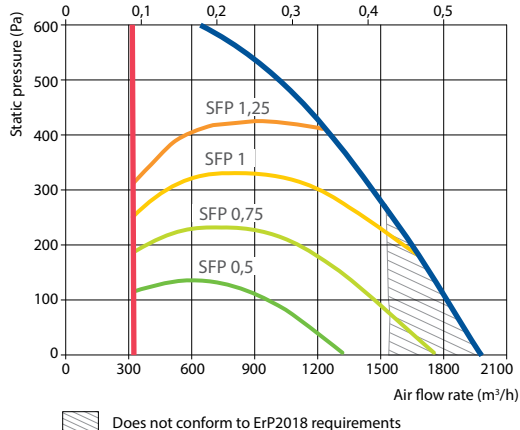
Supply inlet	62
Supply outlet	77
Exhaust inlet	62
Exhaust outlet	74
Casing	58

A-weighted sound pressure level L_{PA} , dB(A)
10 m² normally isolated room, distance from casing – 3 m.

Surroundings	47
--------------	----

Performance (Verso R 1500 UH data)

Supply air filter F7, exhaust air filter M5



Temperature efficiency

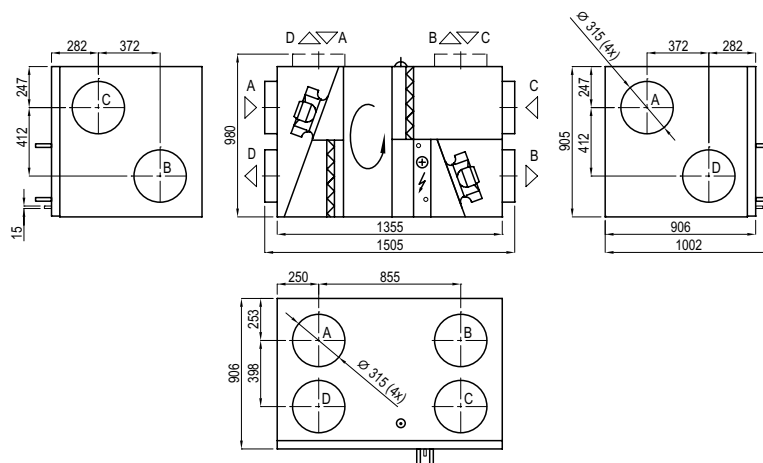
Outside temperature, °C	Winter					Summer		
	-23	-15	-10	-5	0	25	30	35
After heat exchanger, °C	11,5	13,3	14,5	15,7	16,8	22,7	23,9	25,0

indoor +22°C, 10% RH

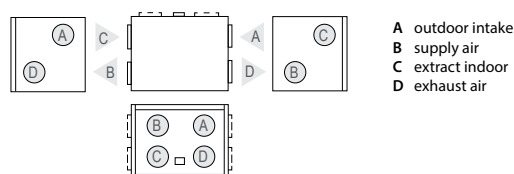
Changeover water heating/cooling exchanger (HCW)

Water temperature in/out, °C	Winter			Summer
	80/60	70/50	60/40	7/12
Capacity, kW	6,3	6,3	6,3	12,0
Flow rate, dm ³ /h	280	279	277	2053
Pressure drop, kPa	3,5	3,5	3,6	99,7
Temperature in/out, °C	11,5/22			25/18
Maximal capacity, kW	22,9	18,8	14,6	15,2
Connection, "	1/2			

Shown as right (R1)



Shown as left (L1)



Accessories (p. 108)

Closing damper	AGUJ-M-315+LF24/LM24
Silencer	A/D AGS-315-100-900-M
	B/C AGS-315-100-1200-M
PPU	PPU-HW-3R-15-1,6-W2
Water heater	DCW-1,4-9
2-way valve	VVP47.20-4,0+SSP61
DX cooler	DCF-1,4-10
Cooling unit	MOU-36HFN6-KA8243