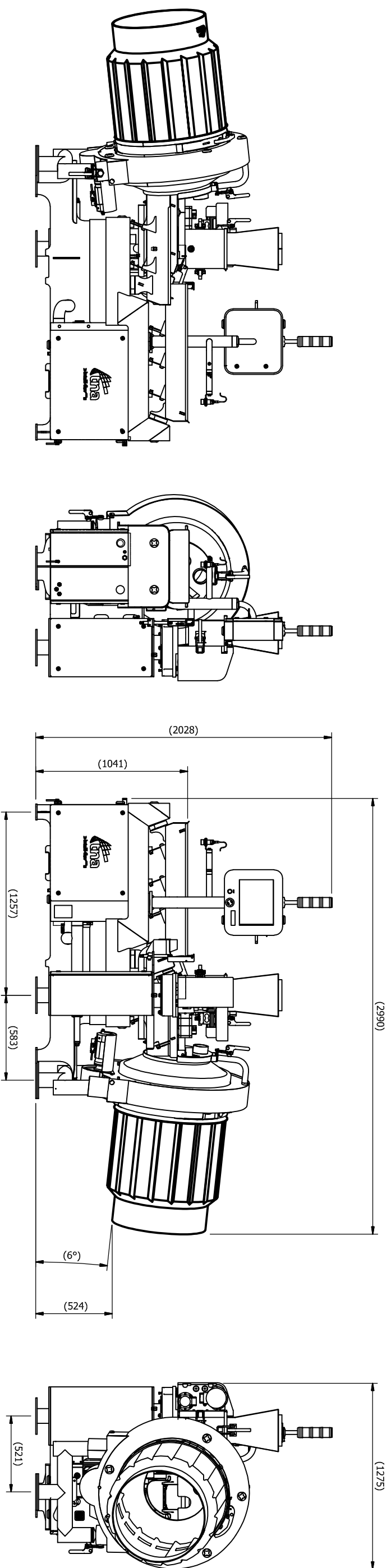
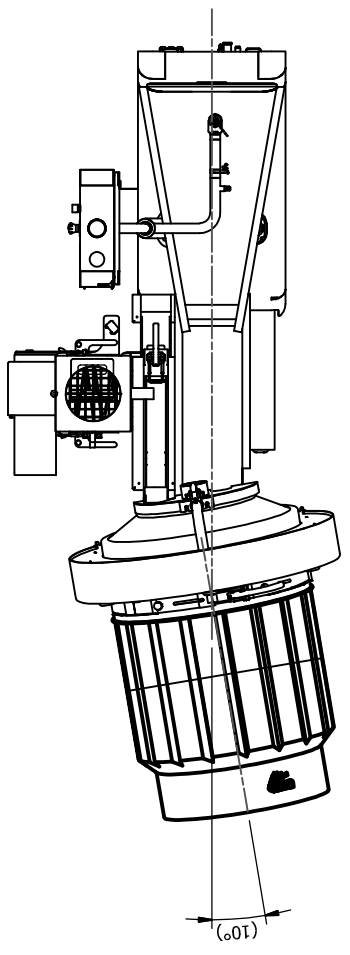
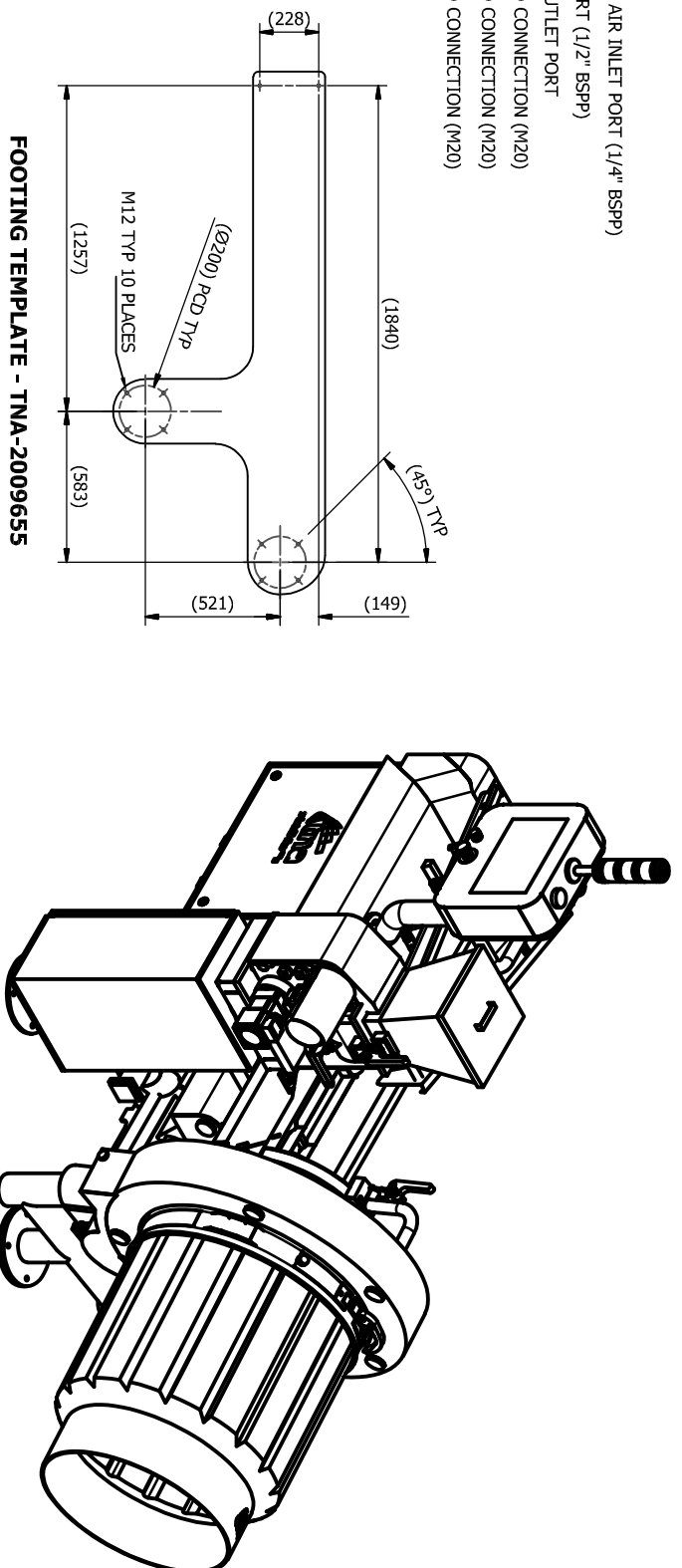
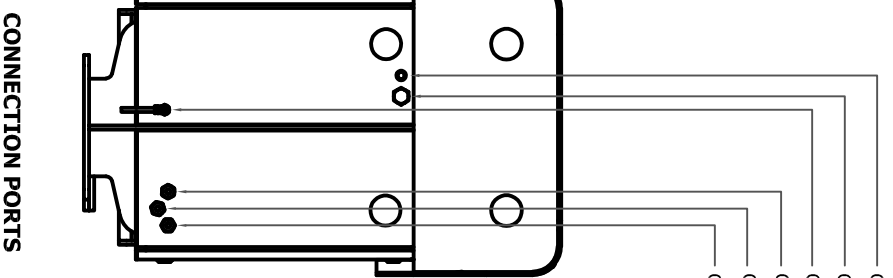


SYSTEM SPECIFICATIONS

SYSTEM TYPE	ON MACHINE SEASONING (OMS)
MODEL NO.	INTELL-FLAV OMS 5
MODEL CONFIGURATION	IF5-RH-D-CB
TUMBLING DRUM TYPE	UHMP (BLUE PLASTIC)
DRUM CAPACITY	60 LITRES
DRIVE CAPACITY	5 kg
PRODUCT THROUGHPUT	UP TO 1,000kg/h
PRODUCT BULK DENSITY	UP TO 200g/l
SEASONING APPLICATION RATE	UP TO 60 kg/h
SYSTEM HANDLING	RIGHT HAND (RH)
SEASONING / APPLICATION	DRY (D)
CONTROL CONVEYOR TRAY	CLOSED BACK (CB)
HMI TYPE	15" LCD WITH TOUCHSCREEN
HMI MOUNTING	RIGHT HAND SIDE
POWDER FEEDER TYPE	HAND FILL SCREW FEEDER - 20 LITRES WITH LOSS IN WEIGHT
BULK FILL SYSTEM	P/AB (VACUUM) OR SPIROFLOW (SCREW CONVEYOR)
CONTROLS TYPE	PC BASED LINUX OPERATING SYSTEM
ELECTRICAL SUPPLY	240V AC 1 PHASE + N 50Hz 208V AC 2 PHASE 50Hz
POWER CONSUMPTION	0.6kW (EXCLUDING HEATED LANCE)
MATERIAL OF CONSTRUCTION	STAINLESS STEEL 304 / 316 FDA APPROVED PLASTIC AND ELASTOMERS FOOD GRADE OILS AND LUBRICANTS
INGRESS PROTECTION	NOT RATED
ENVIRONMENTAL CONDITIONS	5 - 40°C AMBIENT 30 - 70% RELATIVE HUMIDITY



APPROXIMATE WEIGHT = 850KG

COPYRIGHT NOTE
THIS DRAWING REMAINS THE PROPERTY OF TNA AUSTRALIA PTY LTD AND IS SUBJECT TO COPYRIGHT. IT CANNOT BE USED IN PART OR WHOLE WITHOUT WRITTEN PERMISSION FROM TNA AUSTRALIA PTY LTD.

REV	DATE	PRD	CHANGES TO DRAWING
A	14.10.20		FIRST ISSUE

UNLESS OTHERWISE STATED
ALL DIMENSIONS IN mm
3rd ANGLE PROJECTION
SURFACE FINISH
IN ACCORDANCE WITH ISO 2768-1 CLASS M
LINEAR DIMENSIONS ANGULAR DIMENSIONS
up to 6 ± 0.1 up to 10 ± 1°
over 6 to 30 ± 0.2 over 10 to 50 ± 0.5°
over 30 to 120 ± 0.3 over 50 to 120 ± 0.333°
over 120 to 315 ± 0.5 over 120 to 400 ± 0.167°
over 315 to 1000 ± 0.8 over 400 to 2000 ± 0.083°
over 1000 to 2000 ± 1.2 over 400 ± 0.083°
over 2000 ± 2

**INTELL-FLAV OMS 5
ON MACHINE SEASONING
IF5-RH-D-CB
DRY APPLICATION**

TNA Australia Pty Ltd
24 CARTER STREET
SYDNEY OLIMPIA PARK
NSW 2127 AUSTRALIA
PH: +61 2 9714 2300
FAX: +61 2 9748 2970
http://www.tnaresolutions.com

DRAWN BY MC DATE 14/10/2020 IF5-RH-D-CB

SHEET 1 of 1 A