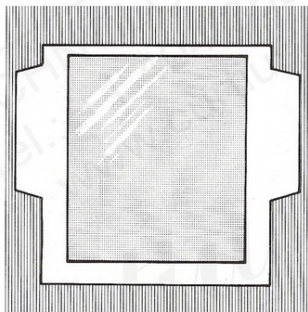
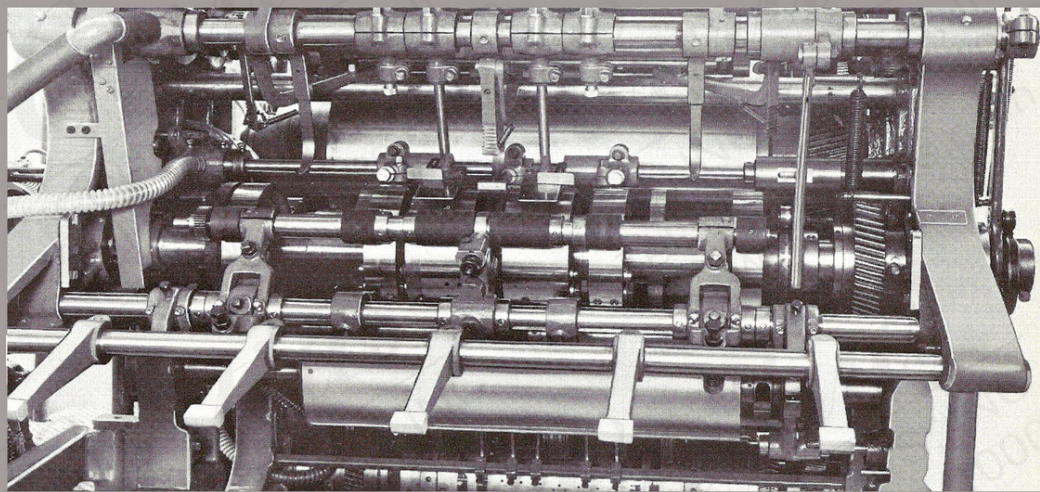


WINKLER+ DÜNNEBIER

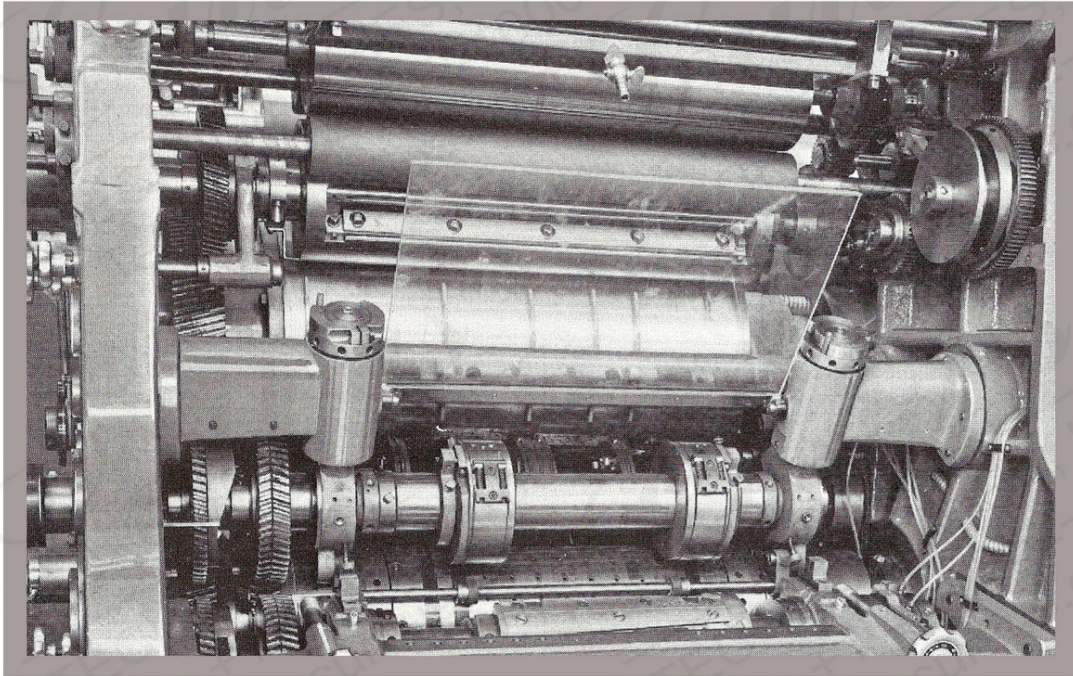
WD

134



Rotary Window Cutting and Patching Machine





The HELIOS 134 is a window cutting and patching machine which is suitable for handling almost all usual envelope and pocket blanks.

The windows are cut out by means of a one-piece knife or a four-piece knife set. The machine can be fitted with a second window cutting section allowing cutting out the first window by means of a four-piece knife set and a second or third one by one-piece knives. Depending on the window position even four or more windows can be cut out in one operation.

Regarding the printing units the machine offers various possibilities: it can be equipped with one flexographic inside printing unit and with up to two letterpress printing or flexographic outside printing units.

With raised knife rollers and disconnected glassine section this machine can also be used as a printing machine for envelope or pocket blanks as well as paper sheets.

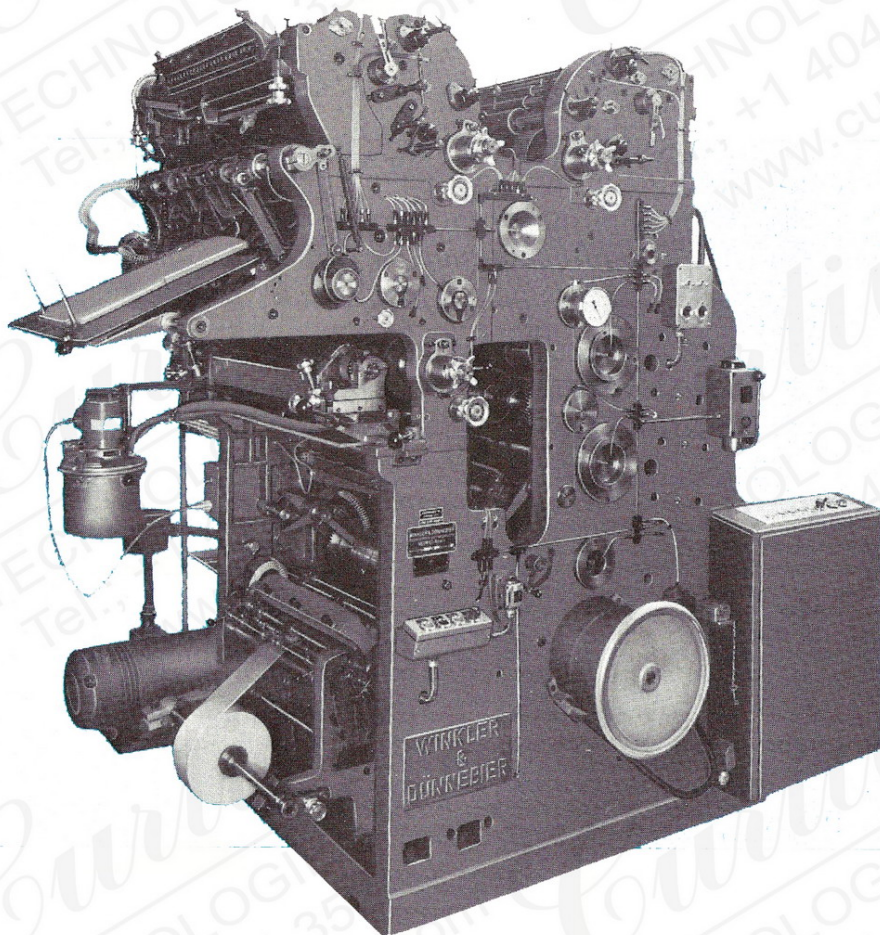
The strong and precise construction of this machine results in high output and high-quality windows and printing.

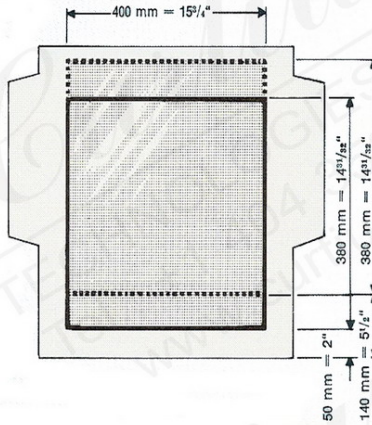
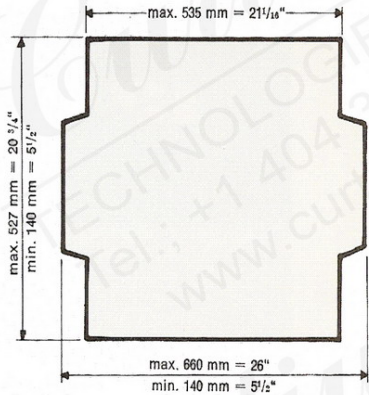
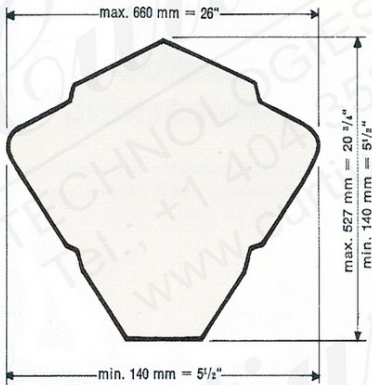




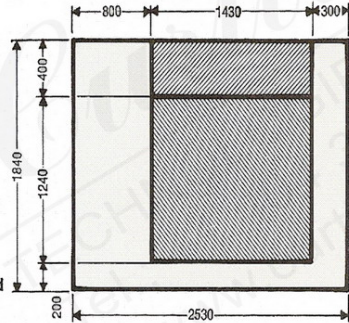
Rotary Window Cutting and Patching Machine

HELIOS 134





window area



floor space required

1	inside printing unit (flexo)
2	outside printing units (optionally flexo or letterpress)
470 x 600 mm (18 1/2 x 23 7/8")	maximum printing surface
max. 170 x 270 mm (6 11/16 x 10 7/16") min. 20 x 50 mm (7 31/32 x 2")	window sizes
max. 290 mm (11 7/16")	glassine width
max. 198 mm (7 11/16")	glassine patch length
250	max. output window-faced blanks per minute
20 kVA	power required abt.
5400 kg	net weight abt.

