

Büchi AG, CH-8610 Uster Schweiz  
 Industriestrasse 12, 8610 Uster, Switzerland  
 Tel. +41 (0)44 860 51 11 Fax +41 (0)44 860 51 22  
 E-Mail: buchi@buchi.ch

article no.: 30.31 construction year: 2007  
 serial no.: 4251

min. operating pressure: 35 bar  
 min. operating temperature: 35 °C  
 volume: 38 L  
 test pressure: 47 bar  
 max. perm. temperature diff. wall: 42 K  
 thermal insulation: 43 mm

CE 0036

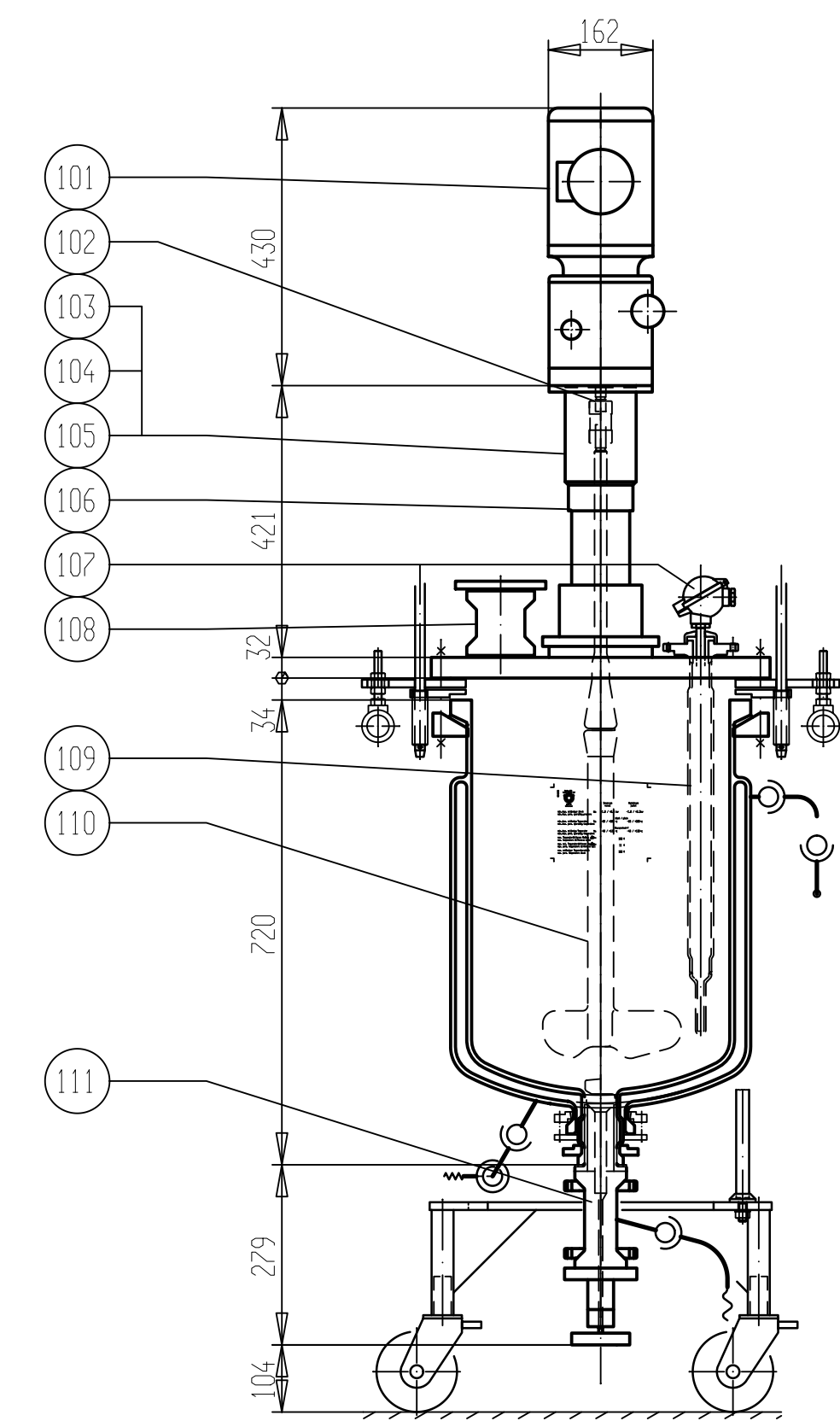
Technical information, operating conditions

field no.	
article no.	99.035.0014
construction year	2007
serial no.	4251
transfer area	[m²] 0.66
min. perm. operating pressure	PS [bar] 1.0 / 0.5
min. perm. operating temperature	TS [°C] -60 / +200
max. perm. operating temperature	TS [°C] 15
volume	V [L] 73
test pressure	PT [bar] 47
max. perm. temperature difference wall	ΔT [K] 42
thermal insulation	mm 43

11	01	Reaction vessel	GR60 spec.	99.035.0014	Pos. 21/22
11	02	Benennung/Name und Teilnummer	Zusatz/Part No.	Bezeichnung	Bezeichnung
11	03	Art.	Grading	Material	Material
11	04	Gr.	Grading	Material	Material
11	05	Gr.	Grading	Material	Material
11	06	Gr.	Grading	Material	Material
11	07	Gr.	Grading	Material	Material
11	08	Gr.	Grading	Material	Material
11	09	Gr.	Grading	Material	Material
11	10	Gr.	Grading	Material	Material
11	11	Gr.	Grading	Material	Material
11	12	Gr.	Grading	Material	Material
11	13	Gr.	Grading	Material	Material
11	14	Gr.	Grading	Material	Material
11	15	Gr.	Grading	Material	Material
11	16	Gr.	Grading	Material	Material
11	17	Gr.	Grading	Material	Material
11	18	Gr.	Grading	Material	Material
11	19	Gr.	Grading	Material	Material
11	20	Gr.	Grading	Material	Material

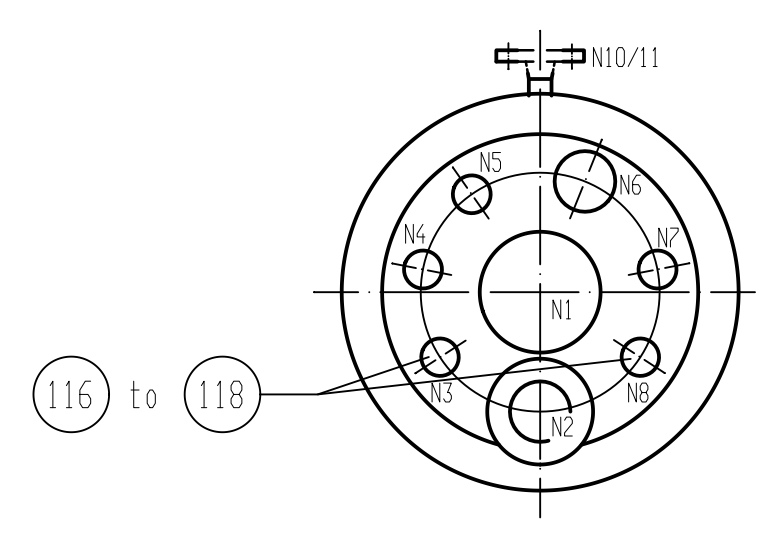
REACTOR VESSEL 6047160  
 GR60 spec. with lowering device

Büchi AG, CH-8610 Uster  
**Approval**  
 Rot= Original / red = original



Massstab 1 : 10

Top view for CR60  
 Scale 1:10



No.	DN [mm]	grinding type	Nozzle list	Function
N1	80	3	stirrer	
N2	80	3	quick acting closure	
N3	50	3	blind (option)	
N4	50	3	feed 1+2	
N5	50	3	soffle	
N6	80	3	separ duct	
N7	50	3	reflux	
N8	50	3	blind (option)	
N9	40	a	outlet	
N10/11	25	DN 25	DN 25	DIN 2633/2512