

## Dual Planetary Mixer & Tank



## ☞ 1-1. SXJB-300 Dual Planetary Mixer

### Machine specifications:

#### Power supply

380V, 3P, 50HZ

#### Working volume:

300L

#### Driving System:

Mixing Power: 30kw ABB/SIEMENS Non Explosion proof Motor,4 pole, Inverter type, IP55, Insulation grade: F,

Cooling method IC411.,

Driving Device: Gear Reducer (Zhejiang Tongli), Planet wheel)

High-speed Power: 30kw ABB/SIEMENS Non Explosion proof Motor,4 pole, IP55, Insulation grade: F,

Cooling method IC411.,

#### Speed

Rotation speed: 0- 72rpm

Revolution speed: 0-40rpm,

Scraper speed: 0-40rpm.

High-speed Disperser:0-1450rpm

Frequency adjusting speed, inverter adopts brand SCHNEIDER.

#### Agitator type

With twist type agitator;

With PTFE scraper device, scraper has revolution through planetary wheel along the side wall.

3D designed mixing shaft and agitators, manufactured in CNC processing center with high precision.

Tooth disc for High-speed Disperser.

#### Bearing:

NSK bearings;

#### Lifting system:

Dual-cylinder industrial oil hydraulic cylinder lifting, without oil leakage;

Stable lifting with nice performance, lifting height 1050mm;

Dual pole lifting system, stable, flexible and nice appearance

Hydraulic station power: ABB/SIEMENS Non ex-proof motor.

With top limit switch to realize when it raises up the certain height, it will stop lifting automatically.

**Seal:**

Main shaft seal: framework oil seal

Cylinder seal: big flange under cylinder cover, inside milling groove with silicon seal strip, which contribute to a

vacuum surroundings inside cylinder.

**Tank cover:**

Hermetic cover dependent with planet transmission box, it reduces the material residuals during vacuum, charging,

operation and cleaning;

With a powder charging port,

With two liquid charging port and a DN50 spare port.

With two sight glass (one is with lamp), another one with wiper

**Locating device:**

With set piece on baseboard for fixing tank easily.

**Installation method:**

Baseboard is embedded under the ground. So the bottom is flush with the ground so that the tank can be removed easily.

It is also ok without pit, then remove the tank by forklift to the working position.

**Vacuum system (Optional):**

Adopt Leybold product.

Power: 2.2kw

Air inlet with dust filter

### Equipment material and appearance:

The contact part is made of SS304;

Other part is made of carbon steel, coated with epoxy paint.

Dual pole structure, stable and nice appearance

### Control system

Individual control cabinet;

Low-voltage components adopt Schneider product

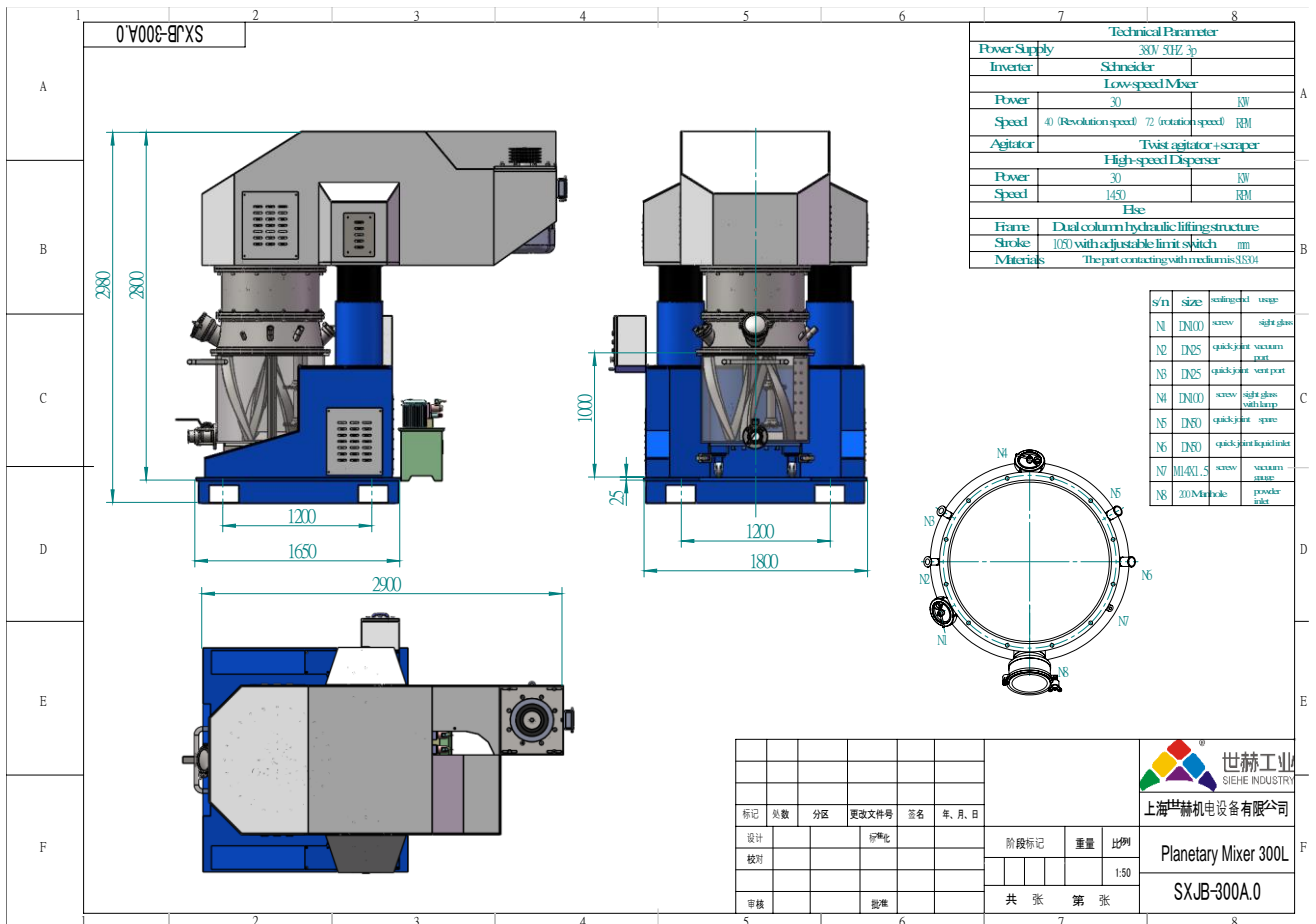
With drag chain to make the wiring neat and nice. (No any wire nor cables are included in the quotation.)

Control panel with bottoms: start/stop for machine, mixing agitator, vacuum system and hydraulic system.

mixer speed control, high-speed control, emergency stop.

Other function can be customized.





Dual Planetary Mixer is a new mixing machine with high performance, high efficiency, easy to clean and to maintain,

which is innovated and improved based on the introduced overseas advanced technology. The Dual agitators of this

equipment rotate and at the same time revolve around the axle, the agitators are divided by the viscosity and

characteristics of the material, usually include paddle type, twist type, claw type, frame type etc., have good mixing,

reacting, kneading, dissolving effect. The mixer is equipped with a separate set of scraper to scrape the sides of the

barrel and the mixing paddle can be added a scraper as well, so that it can scrape the bottom of the barrel and avoid

dead corner to ensure the stability of the product. Dual Planetary Mixer adopts planetary gear wheel drive, there is a

large output torque, suitable for high temperature, high solids, high viscosity, and other difficult working conditions.

## Advantages:

### **High mixing efficiency, wide application**

The Dual planetary mixer has two sets of agitators (can customize to be three sets)

revolving around the container axle and at the same time rotating at high speed, so that the materials are mixed

rapidly under the action of strong shearing and kneading force. Various agitators (blade type, twist type, claw type,

frame type etc) are in option based on materials with different viscosity and different specific gravity.

### **Safe and convenient operation**

Adopt hydraulic cylinder as lifting actuators. Control the mixer up, stop and down through controlling the valve, simple

operation with high stability; with barrel holding device for fixing the mixing tank rapidly to prevent any possible

accident due to tank displacement. Interlock between the tank in place and machine running can be set to avoid

mal-operation.

### **No residue on the wall, clean discharging**

There is scraper on the planetary frame rotating together with the planetary frame, it clings to the container and scrape

the materials on the wall off continuously. The container inner wall is precisely lathed and then mirror polished to

ensure the scraper can scrape all materials sticking to the wall off without residue. The blades can also be equipped

with scraper for scraping the materials at bottom to ensure without mixing dead corner and excellent mixing result.

Finished products with stable quality is ensured.

## 1-2. SLG-300 Tank with single layer

### Machine specifications:

Design volume 400L, working volume 300L;

∅850\*710mm diameter \* height

Wall thickness: 12mm, stainless steel 304.

With 3" discharging port (1 pc) at side bottom. With ball valve.

Contacting part with material: SS304, inside and outside mirror polished.

Carbon steel part is coated with epoxy paint.

With brake wheels and forklift groove.

With big flange to realize complete closure.

