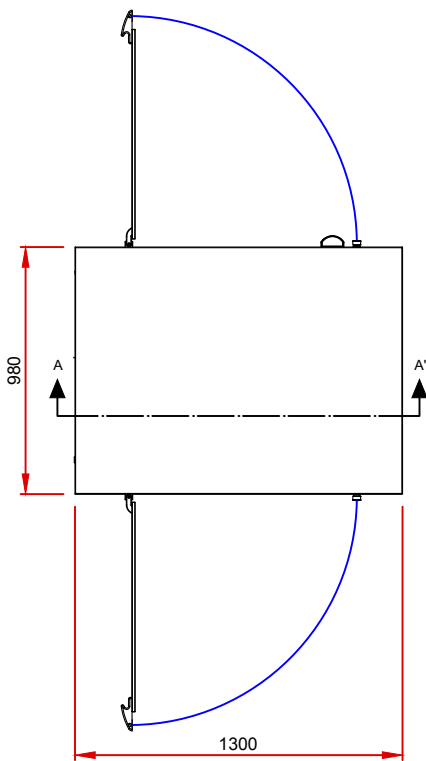
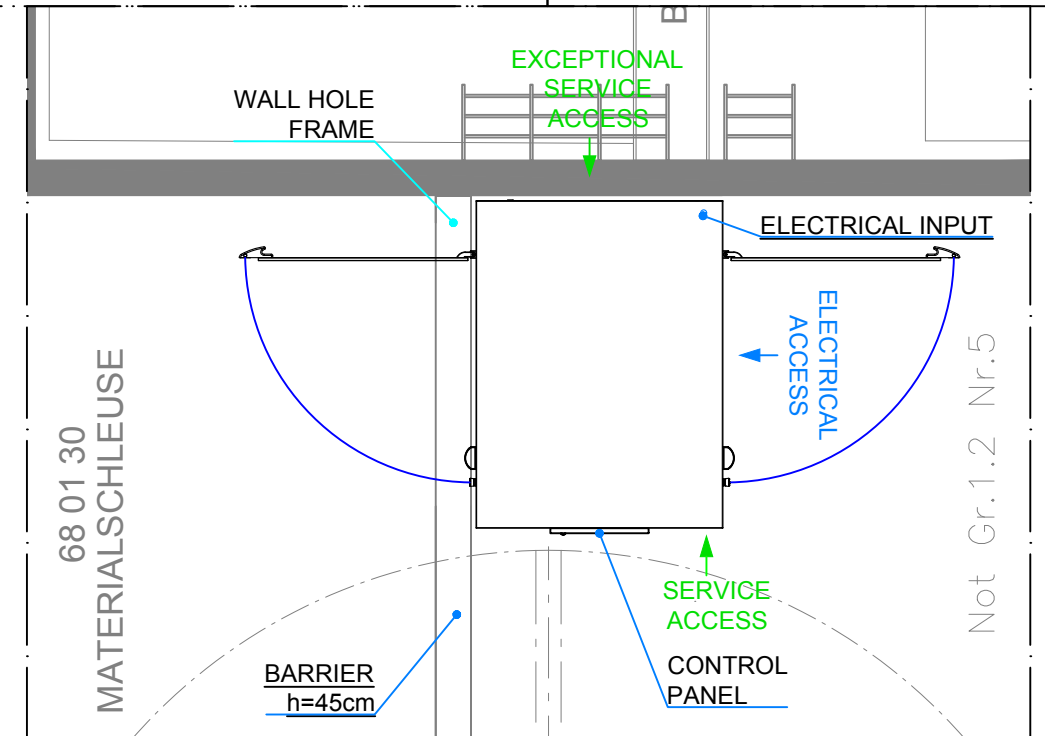
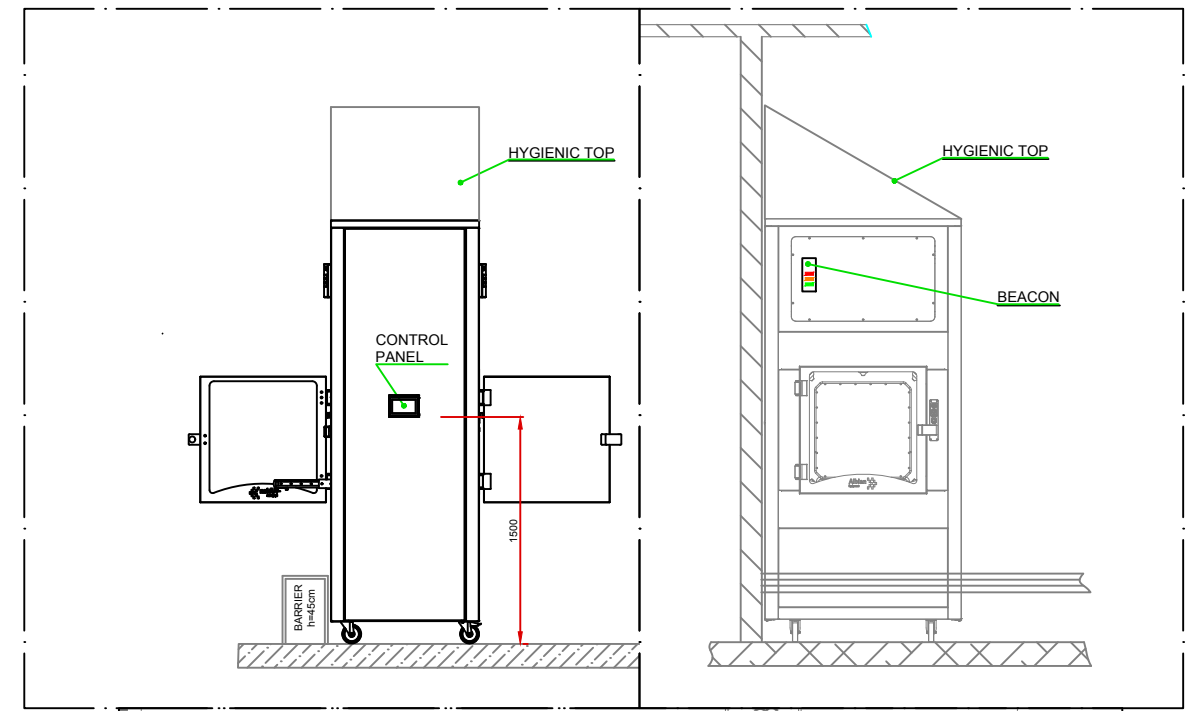
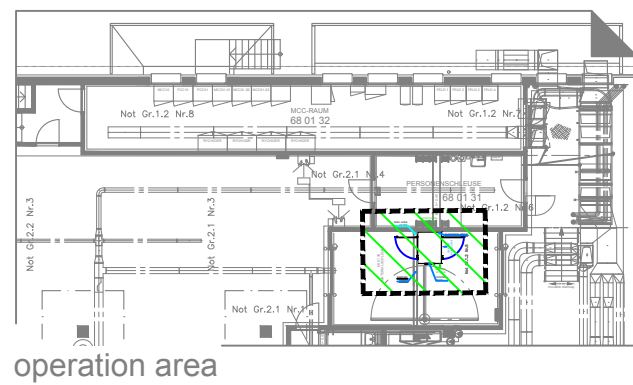


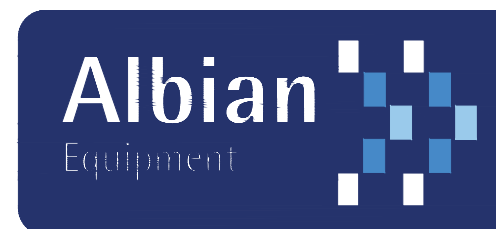
EQUIPMENT DIMENSIONS
caption



E:1/30



3					
2	16/11/17	Control panel relocated	A.G.	J.J.	
1	14/11/17	Electrical input changed; control panel relocated	A.G.	J.J.	
rev.	date	descriptions	drawn	checked	approved



drawn	26/10/2017	O.L.
checked	26/10/2017	J.J.
approved		

signatures	customer

project **PBOX 600 AIR SHOWER UVC**

title **LOCATION AND DIMENSIONS**

scale **N/S**
drawing **30082-PS-0113**