

CODE	NAME	NOTES
AL1	SOUND ALARM	(OPTIONAL)
AL2	ALARM SIREN	(OPTIONAL)
CD1	REMOTE CONTROL CONTACT	
CE1	EXTERNAL ENABLE CONTACT	
CL1	WATER LEVEL ELECTRIC CONTROL	(OPTIONAL)
CH1	HOUR METER	
CM1-2	AUX. SIGNALLING CONTACT FOR MODULATING VALVE MOTOR OPERATION	(OPTIONAL)
CP1	LOW PRESSURE GAS PRESSURE SWITCH	
CP2	HIGH PRESSURE GAS PRESSURE SWITCH	
CP3	OIL DIFFERENTIAL PRESSURE SWITCH	
CP4-5	MODULATING MOTOR COMMAND PRESSURE SWITCHES	(OPTIONAL)
CP6	PUMP MIN. CURVE CONTROL PRESSURE SWITCH	(OPTIONAL)
CP7	PUMP MAX. CURVE CONTROL PRESSURE SWITCH	(OPTIONAL)
CP8	LOW CONDENSATION CONTROL PRESSURE SWITCH	
CP9	HIGH CONDENSATION CONTROL PRESSURE SWITCH	
CT1	THERMOREGULATOR	
CT2	COMPRESSOR THERMISTOR	
CT3	ANTIFREEZE HEATER THERMOSTAT	(INCORPORATED)
CT4	COMPRESSOR OIL CONTROL THERMOSTAT	(DORIN COMPRES. ONLY)
EV1	GAS SOLENOID VALVE	
EV2	WATER FILLING SOLENOID VALVE	(OPTIONAL)
FS A-B	FUSES ON CARD	
FS C-D	FUSES ON CARD	
FS E-F	AUX. FUSES FOR CIRCUIT 1 TRANSFORMER	
S1	PUMP SELECTOR	
S2	COMPRESSOR SELECTOR	
LS1	MAIN PILOT LAMP	
LS2	COLD WATER PUMP TEMP. RELAY PILOT LAMP	
LS3	LOW PRESSURE WATER PILOT LAMP	(CONNECTED ON REQUEST)
LS4	COLD WATER PUMP RUNNING PILOT LAMP	
LS5	HIGH PRESSURE WATER PILOT LAMP	(CONNECTED ON REQUEST)
LS6	COMPRESSOR TEMP. RELAY PILOT LAMP	
LS7	FAN. TEMP. RELAY PILOT LAMP	
LS8	COMPRESSOR THERMISTOR PILOT LAMP	
LS9	TEMPERATURE STOP PILOT LAMP	
LS10	OIL PRESSURE SWITCH PILOT LAMP	
LS11	HIGH PRESSURE GAS PILOT LAMP	
LS12	LOW PRESSURE GAS PILOT LAMP	
LS13	COMPRESSOR RUNNING PILOT LAMP	
LS14	FAN RUNNING PILOT LAMP	
LS15	LOW PRESSURE MAINTENANCE ALARM PILOT LAMP	
LS16	HIGH PRESSURE MAINTENANCE ALARM PILOT LAMP	
LS17	WATER LEVEL PILOT LAMP	
LS18	COMPRESSOR OIL HEATER PILOT LAMP	
LS19	ANTIFREEZE HEATER LAMP	(CONNECTED ON REQUEST)
LS20	WATER REG. MOTOR OPERATION P.LAMP	(CONNECTED ON REQUEST)
LS21	AIR REG. MOTOR OPERATION P. LAMP	(CONNECTED ON REQUEST)
LS22	EXTERNAL ENABLE PILOT LAMP	(CONNECTED ON REQUEST)
LS23	HOT WATER PUMP RUNNING PILOT LAMP	(NOT CONNECTED)
LS24	HOT WATER PUMP TEMP. RELAY P.LAMP	(NOT CONNECTED)
M1	PUMP MOTOR	
M2	COMPRESSOR MOTOR	
M3	FAN 1 MOTOR	
MM1-2	MODULATING VALVE MOTORS FOR AIR REGULATION AND WATER PRESSURE	(OPTIONAL)

NOVA FRIGO S.p.A.
Via industria, 19/21
25010 CALCINATO fraz. PONTE S. MARCO (BS) Italia
Tel. 030/9969651 - Fax 030/9969053
Telex 303078 NOFRAG I

**COSTRUZIONE IMPIANTI FRIGORIFERI
ED APPLICAZIONI SPECIALI
PER LA TERMOREGOLAZIONE
LA REFRIGERAZIONE
ED IL CONDIZIONAMENTO INDUSTRIALE.
ESSICCATORI PER MATERIE PLASTICHE.**

N.B.:

THIS PAPER CAN NEITHER BE REPRODUCED NOR PASSED ON TO THIRD PARTIES WITHOUT OUR WRITTEN AUTHORISATION.

CODE	NAME	NOTES
ING	MAIN SWITCH	
LL1	ALARM FLASHING LAMP	(OPTIONAL)
MT1	PUMP REMOTE CONTROL SWITCH	
MT2	COMPRESSOR REMOTE CONTROL SWITCH	
MT3	FAN REMOTE CONTROL SWITCH	
OR1	PROGRAMMER CLOCK	(OPTIONAL)
PM	DRIVE PUSH BUTTON	
PE	EMERGENCY STOP PUSH BUTTON	
PM	DRIVE PUSH BUTTON	
RA1	AUXILIARY RELAY	
RA2	AUXILIARY RELAY	(SANYO COMPRESSOR ONLY)
RA4	MAIN AUXILIARY RELAY	
RA5	AUXILIARY RELAY	(OPTIONAL)
RM1	PUMP MAGNETOTHERMAL RELAY	
RM2	COMPRESSOR MAGNETOTHERMAL RELAY	
RM3	FAN MAGNETOTHERMAL RELAY	
RS1	COMPRESSOR OIL HEATER	
RS2	ANTIFREEZE HEATER TANK	(OPTIONAL)
T1	TIMER	
TA1-2	AUXILIARY TRANSFORMERS (INSERTED IN ELECTRONIC CARD)	
TM1	THERMISTORS	(SANYO COMPRESSOR ONLY)
TR1	AUXILIARY TRANSFORMER	
TR2	AUXILIARY TRANSFORMER 24 V POWER SUPPLY	(OPTIONAL)
---	CONNECTIONS PROVIDED FOR OPTIONAL ITEMS	
○	TERMINAL BOARD ON ELECTRONIC CARD	
□	TERMINALS ON DISTRIBUTION PLATE	
.....	CONNECTIONS ON ELECTRONIC CARD	
┌───┐	TERMINAL CONNECTIONS	

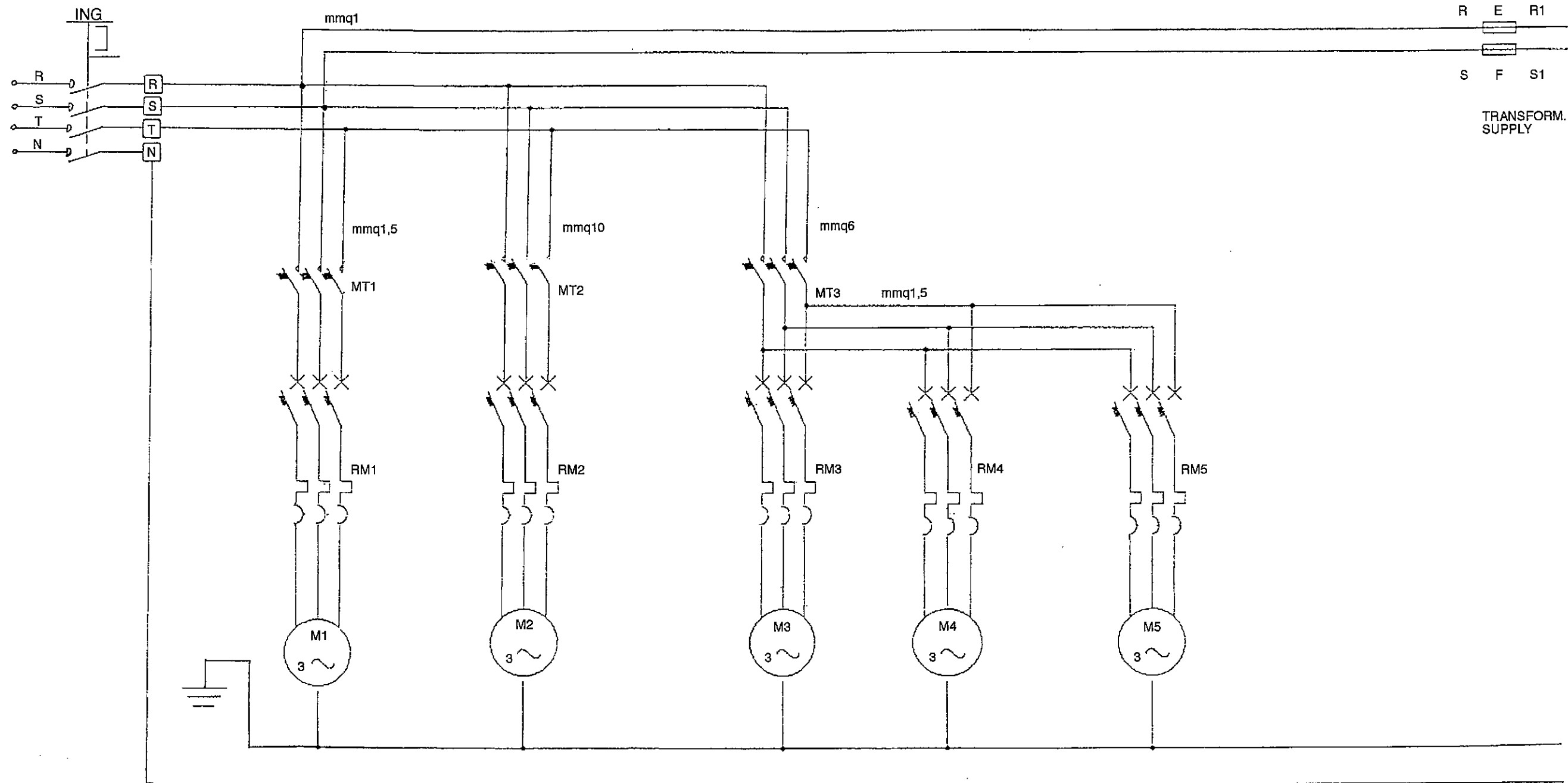
NOVA FRIGO S.p.A.
Via industria, 19/21
25010 CALCINATO fraz. PONTE S. MARCO (BS) Italia
Tel. 030/9969651 - Fax 030/9969053
Telex 303078 NOFRAG I

**COSTRUZIONE IMPIANTI FRIGORIFERI
ED APPLICAZIONI SPECIALI
PER LA TERMOREGOLAZIONE
LA REFRIGERAZIONE
ED IL CONDIZIONAMENTO INDUSTRIALE.
ESSICCATORI PER MATERIE PLASTICHE.**

N.B.:

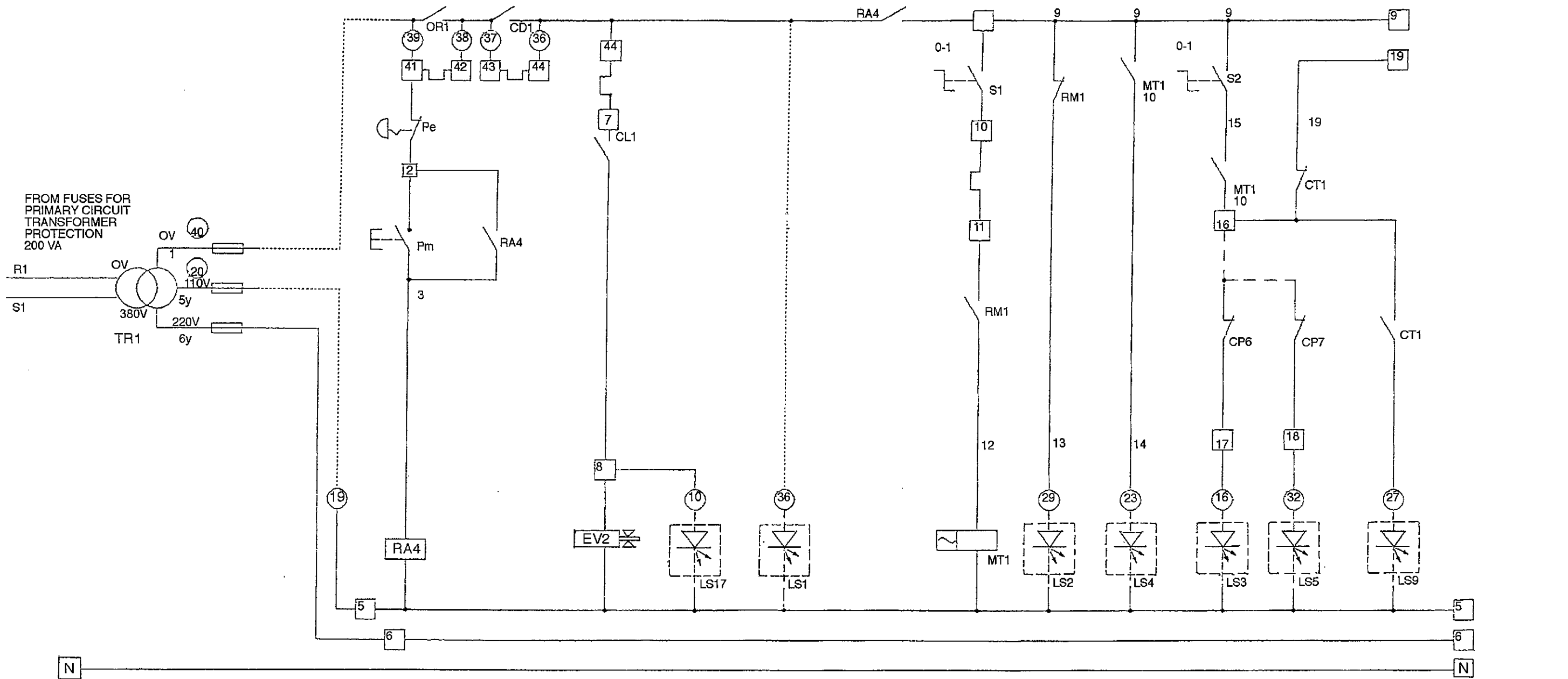
THIS PAPER CAN NEITHER BE REPRODUCED NOR PASSED ON TO THIRD PARTIES WITHOUT OUR WRITTEN AUTHORISATION.

MAIN SWITCH	PUMP	COMPRESSOR	FAN 1	FAN 2	FAN 3	PROTECTION FUSE FOR PRIMARY CIRCUIT ON 3 EQUIPMENT
-------------	------	------------	-------	-------	-------	----------------------------------------------------



N.B.: THIS PAPER CAN NEITHER BE REPRODUCED NOR PASSED ON TO THIRD PARTIES WITHOUT OUR WRITTEN AUTHORISATION.

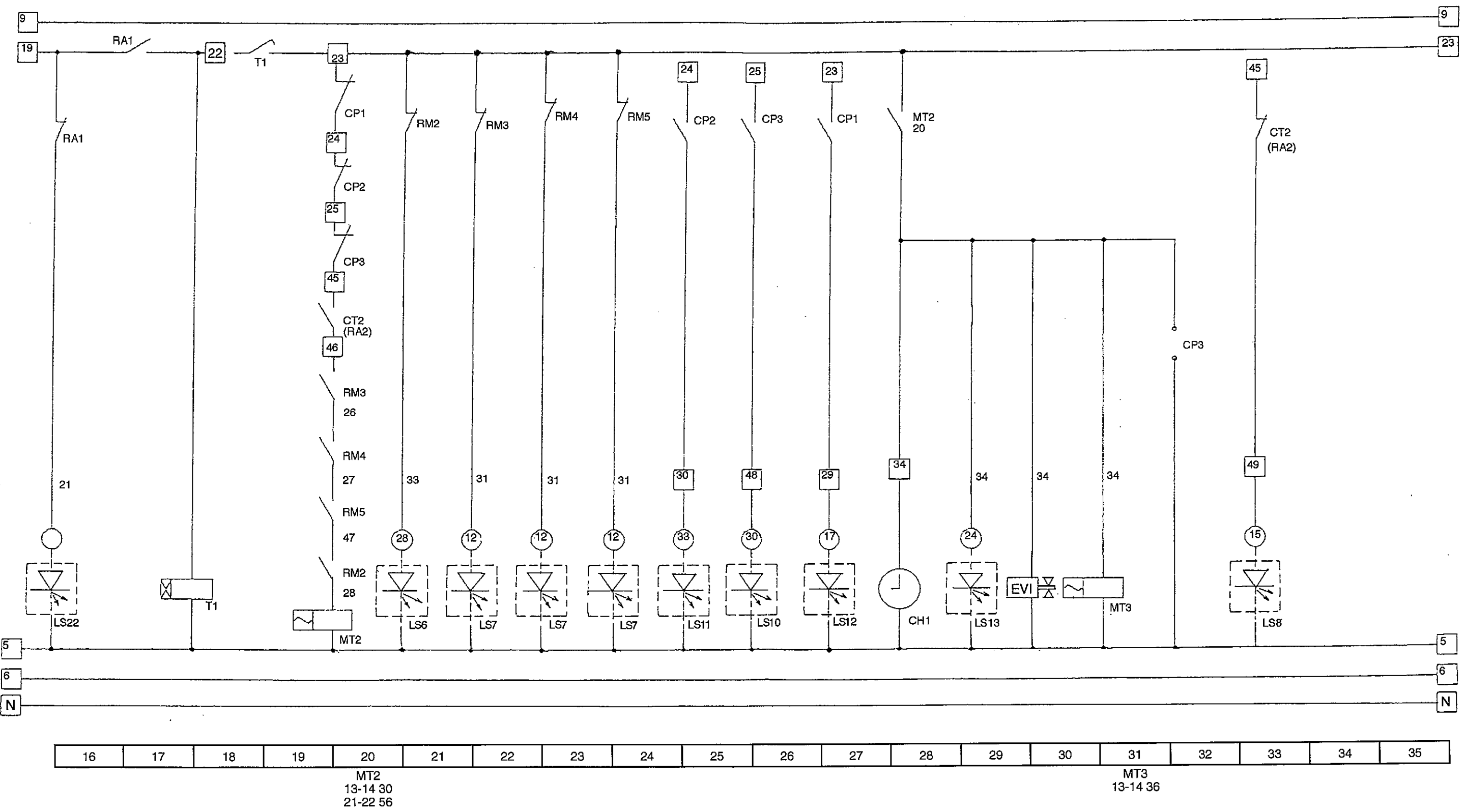
	TRANSFORMER 0-380V 0-110 220V-250VA	PROTECTION FUSES A-B OF SECONDARY CIRCUIT TRANSFORMER ON CARD A4	CONNECTION INSERTED IN CARD	MAIN AUXILIARY RELAY	WATER FILLING SOLENOID VALVE	WATER LOADING PILOT LAMP	MAIN PILOT. LAMP SHOWING CONNECTION INSERTED IN CARD	MAIN AUXILIARY RELAY CONTACT	MAIN PUMP CONTROL SELECTOR	THERMAL PUMP STOP PILOT LAMP	PUMP RINNING PILOT LAMP	PUMP MINIMUM CURVE PILOT LAMP	PUMP MAXIMUM CURVE PILOT LAM	TEMPERATURE STOP PILOT LAMP
--	----------------------------------------------	---------------------------------------------------------------------------------	-----------------------------------	----------------------------	------------------------------------	--------------------------------	------------------------------------------------------------------	---------------------------------------	----------------------------------	------------------------------------	----------------------------	-------------------------------------	------------------------------------	-----------------------------------



0	1	2	3	4	5	6	7	8	9	10	11	12	13	14	15
RA 4										MT1 13-14 12 13-14 13 21-22 58					

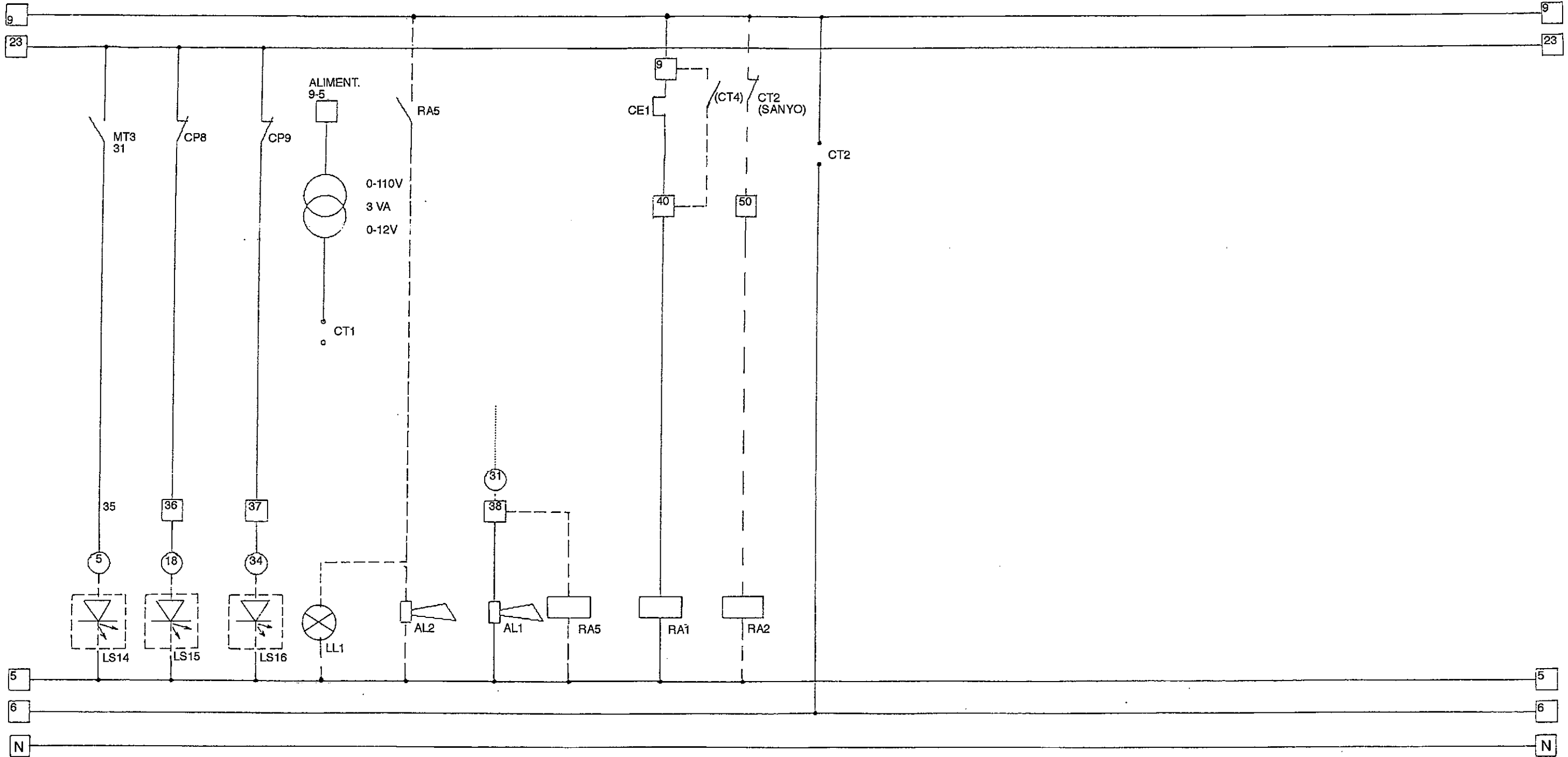
N.B.: THIS PAPER CAN NEITHER BE REPRODUCED NOR PASSED ON TO THIRD PARTIES WITHOUT OUR WRITTEN AUTHORISATION.

EXTERNAL ENABLE PILOT LAMP	AUXILIARY RELAY CONTROL	TIMER	TIMER CONTACT	COMPRESSOR CONTROL	COMPRESSOR TEMP. RELAY PILOT LAMP	FAN TEMP. RELAY PILOT LAMP	FAN TEMP. RELAY PILOT LAMP	FAN TEMP. RELAY PILOT LAMP	HIGH PRESSURE GAS PILOT LAMP	OIL PRESSURE SWITCH PILOT LAMP	LOW PRESSURE GAS PILOT LAMP	IHOUR METER	COMPRESSOR DRIVE PILOT LAMP	GAS SOLENOID VALVE	FAN CONTROL	OIL PRESSURE POWER SUPPLY			
----------------------------	-------------------------	-------	---------------	--------------------	-----------------------------------	----------------------------	----------------------------	----------------------------	------------------------------	--------------------------------	-----------------------------	-------------	-----------------------------	--------------------	-------------	---------------------------	--	--	--



N.B.: THIS PAPER CAN NEITHER BE REPRODUCED NOR PASSED ON TO THIRD PARTIES WITHOUT OUR WRITTEN AUTHORISATION.

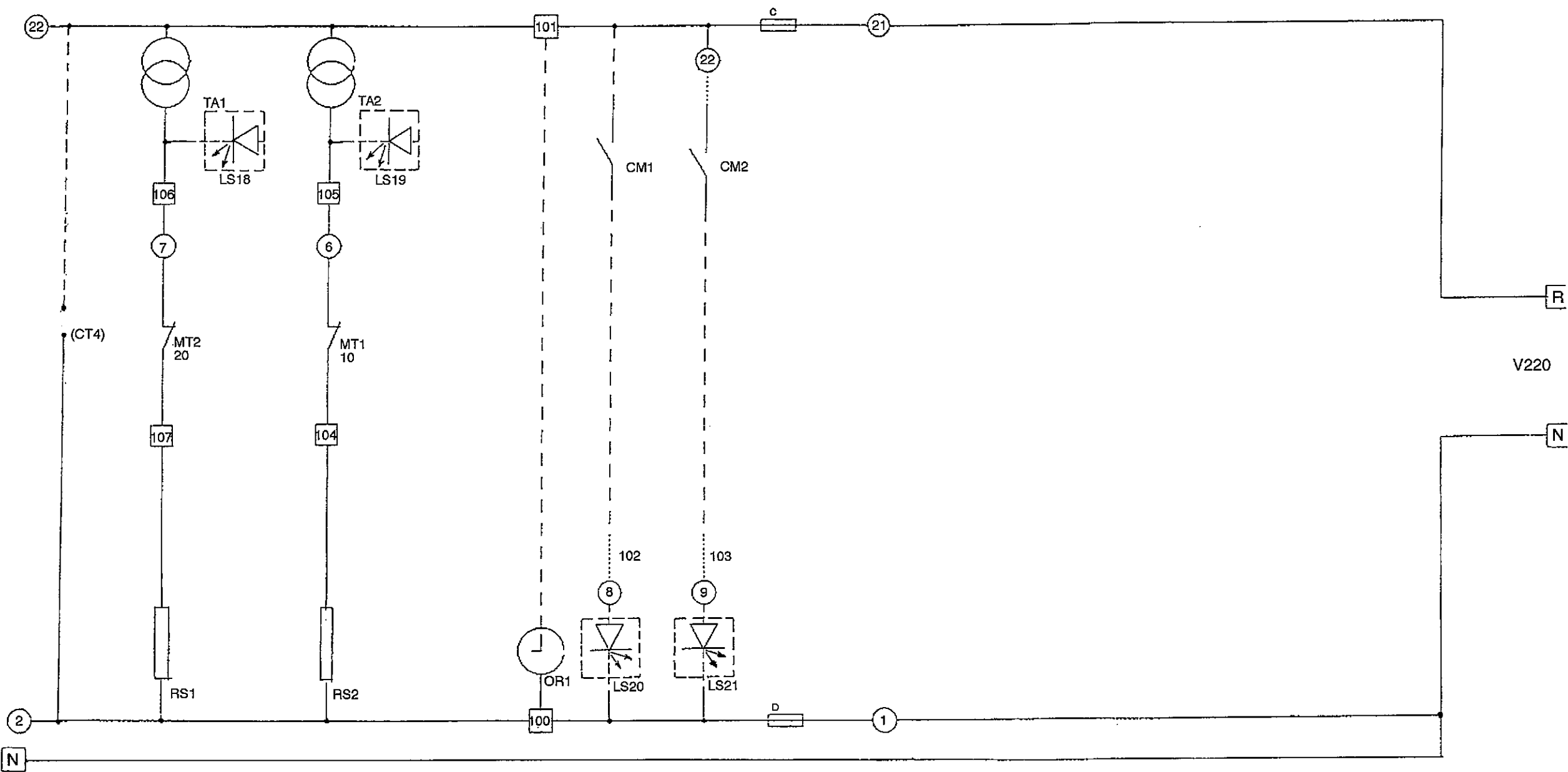
FAN RUNNING PILOT LAMP	LOW PRESSURE ALARM PILOT LAMP	HIGH PRESSURE ALARM PILOT LAMP	THERMO-REGULATOR POWER SUPPLY	ALARM SIREN	SOUND ALARM	AUX. RELAY	EXTERNAL ENABLE AUX.RELAY	ONLY COM-PRESSOR SANYO	THERMISTOR POWER SUPPLY						
------------------------	-------------------------------	--------------------------------	-------------------------------	-------------	-------------	------------	---------------------------	------------------------	-------------------------	--	--	--	--	--	--



36	37	38	39	40	41	42	43	44	45	46	47	48	49	50	51	53	54
----	----	----	----	----	----	----	----	----	----	----	----	----	----	----	----	----	----

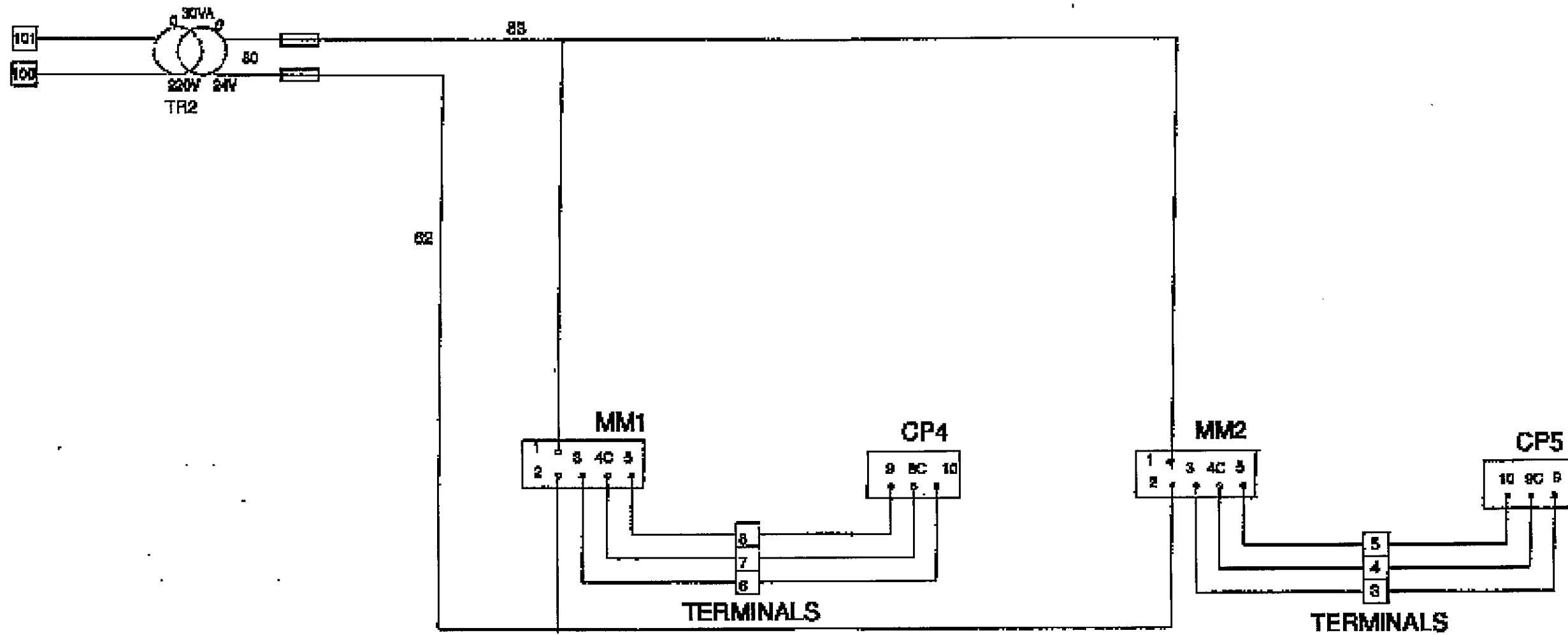
N.B.: THIS PAPER CAN NEITHER BE REPRODUCED NOR PASSED ON TO THIRD PARTIES WITHOUT OUR WRITTEN AUTHORISATION.

OIL CONTROL THERMOSTAT CARD SUPPLY (DORIN)	COMPRESSOR CASING RESISTOR	CASING RESISTOR POWER SUPPLY PILOT LAMP	ANTI-FREEZE HEATER TANK	ANTI-FREEZE HEATER POWER SUPPLY PILOT LAMP	CLOCK	MM1 OPERATION PILOT LAMP	MM2 OPERATION PILOT LAMP	4A PROTECTION FUSES ON CARD C-D									
--------------------------------------------	----------------------------	-----------------------------------------	-------------------------	--------------------------------------------	-------	--------------------------	--------------------------	---------------------------------	--	--	--	--	--	--	--	--	--



55	56	57	58	59	60	61	62	63	64	65	66	67	68	69	70	71	72	73	74
----	----	----	----	----	----	----	----	----	----	----	----	----	----	----	----	----	----	----	----

N.B.: THIS PAPER CAN NEITHER BE REPRODUCED NOR PASSED ON TO THIRD PARTIES WITHOUT OUR WRITTEN AUTHORISATION.



AUXILIARY TRANSFORMER	WATER MODULATING VALVE MOTOR	PRESSURE SWITCH	AIR MODULATING VALVE MOTOR	PRESSURE SWITC
-----------------------	------------------------------	-----------------	----------------------------	----------------

N.B.:

THIS PAPER CAN NEITHER BE REPRODUCED NOR PASSED ON TO THIRD PARTIES WITHOUT OUR WRITTEN AUTHORISATION.