

<b>company:</b>	<b>VST engineering</b>	date of file:	12.07.2016
project:	Rotary valve	date of processing:	12.07.2016
	bca10122	mode:	auto
Pos.:	1. SCHEUCH Rotary Valve	processed by:	Carina Brandstetter

**type of rotary valve****zss 0800-nf-20****operational data**

conveying medium		wood chips
bulk weight	kg/m <sup>3</sup>	200
mass flow rate	to/h	25,00
volume flow rate	m <sup>3</sup> /h	125,00
temperature of medium	°C	50
flow coefficient	%	25
differential pressure	Pa	2.000
volume flow rate 100%	m <sup>3</sup> /h	546,8
degree of charge	%	22,9
leak volume flow	m <sup>3</sup> /h	59,8
Required power	kW	2,8
rotational speed	rpm	21

**dimensions**

inlet	mm	1007x507
outlet	mm	1007x507
height	mm	1.000
mass without drive	kg	940
mass with drive	kg	1.070

**motor power**

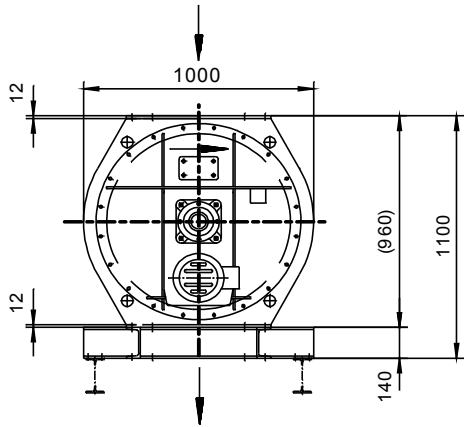
<b>motor power</b>	<b>kW</b>	<b>4,0</b>
motor speed	rpm	21
explosion proof design		no

company: **VST engineering**  
 project: Rotary valve  
 bca10122  
 Pos.: 1. SCHEUCH Rotary Valve

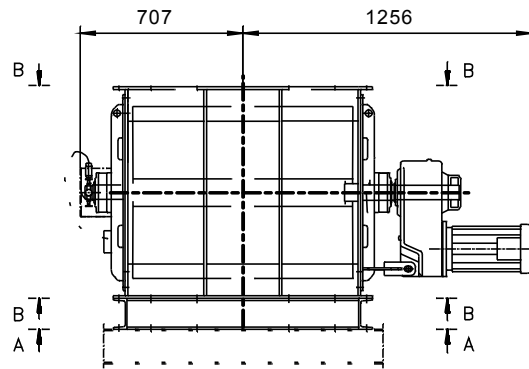
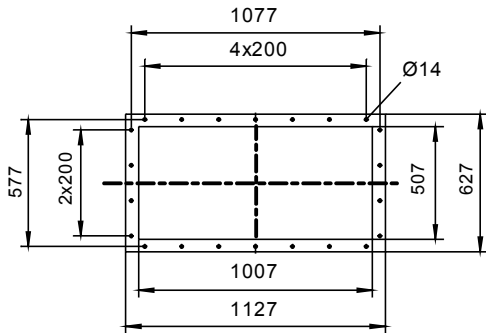
date of file: 12.07.2016  
 date of processing: 12.07.2016  
 mode: auto  
 processed by: Carina Brandstetter

type of rotary valve

zss 0800-nf-20



Schnitt B-B  
 Ein- und Ausfallrahmen:  
 Lochbild lt. DIN 24158/R4



Schnitt A-A  
 Grundrahmen  
 Lochbild lt. DIN 24158/R4

